

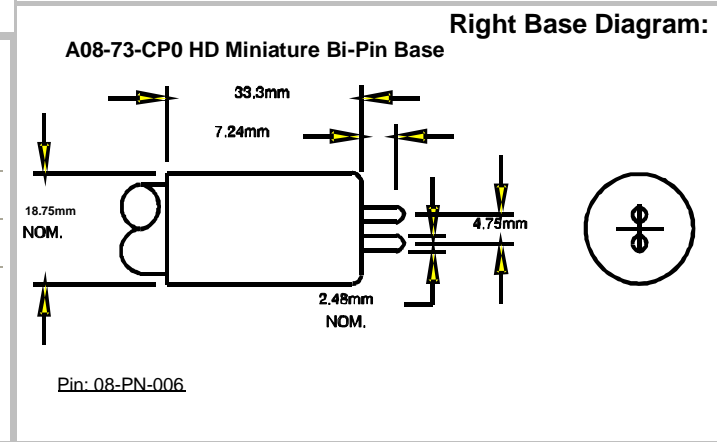
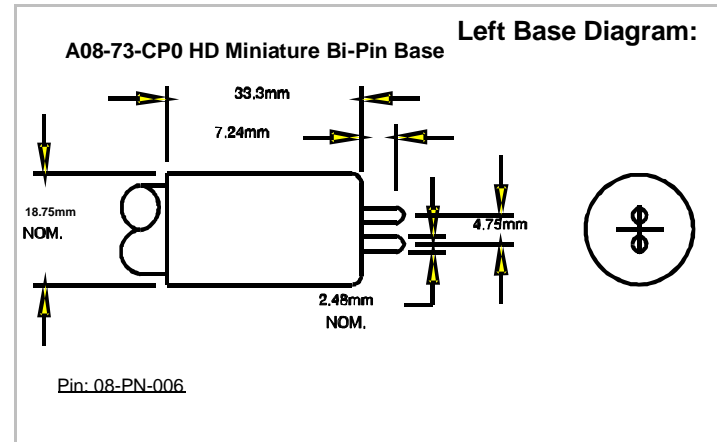
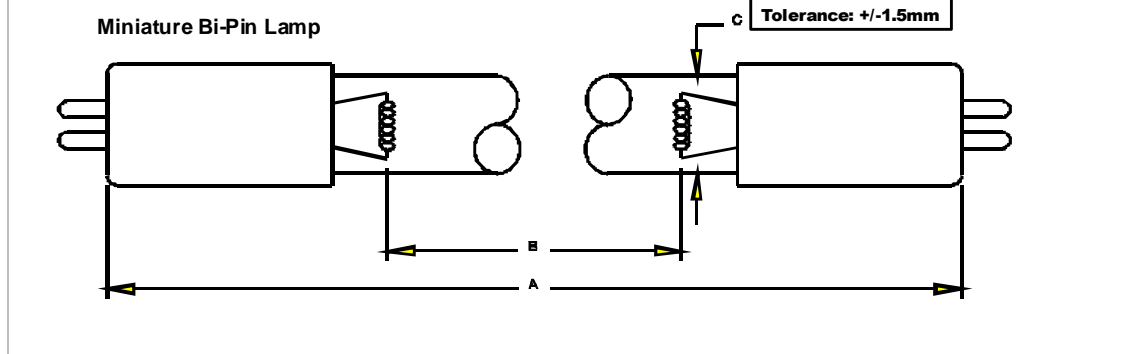
Lamp Type: GPH287T5VHCA/C

Spec Number:

1176

Engineering Specification Sheet

Lamp Diagram:



Lamp Characteristics

(A) Base Face: 287 mm +/- 1.5mm
 (B) ARC: 211mm
 (C) Bulb Diameter: 15
 (X) _____
 Glass Type: VH (Ozone) Coating: A11-QC-001
 If Spliced: L _____ mm VH _____ mm
 (Y) _____

Operating Current: 380mA
 Lamp Voltage: 39V
 Lamp Wattage: 14W



UV Output

Output UVC Watts	Output μ /cm ² @ 1 Meter	Rated Life (hrs)	% Output @EOL	Output Notes Field	Ballast Used for Measurements
4	40	12000	80.00%		SSGPH287

First Light
 PO Box 191, 212 Ideal Way
 Poultney, VT 05764 USA
 Phone-(802) 287-4195 Fax-(802) 287-4489
 www.firstlightusa.com
 email: sales@firstlightusa.com

*UV Output is based on lamps measured after 100 hours of operation under lab conditions. These values are subject to wide variations under application/field conditions.
 UV Output is measured at 254 nm
 **Rated Life is for reference purposes only and is based on a group of lamps operating under lab conditions. Actual life depends on the operating conditions of the lamp.

12/10/2011
 2:48:26 PM