

Lamp Type: G64T5LCA/PT-36"/2W/B/C

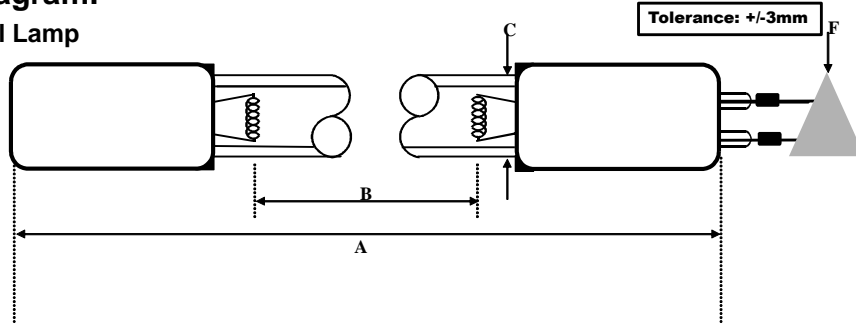
Spec Number:

1284

Engineering Specification Sheet

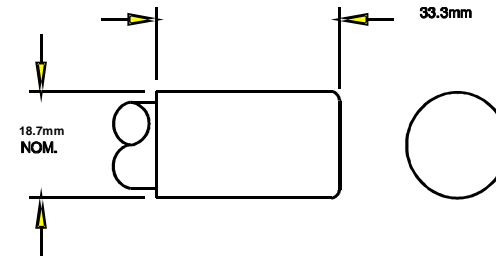
Lamp Diagram:

Pigtail Lamp



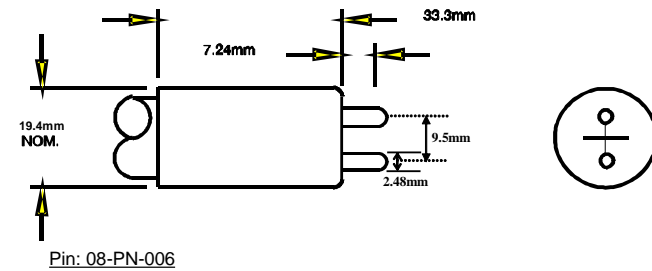
A08-PP-C00 HD No Hole Base Black

Left Base Diagram:



A08-15-CP0 Two Pin Base

Right Base Diagram:




Lamp Characteristics

(A) Base Face:	1554	mm	+/- 3mm		
(B) ARC:	1473	mm		Operating Current	450mA
(C) Bulb Diameter	15	mm		Lamp Voltage	170V
(X)				Lamp Wattage	75W
Glass Type:	L (Non-Ozone)	Coating:	A11-QC-001		
If Spliced:	L	mm	VH	mm	
(Y)					

UV Output - Certified to be true. Kenneth A. Ell, President

Output UVC Watts	micro/watt	/cm ² @ 1 Meter	Rated Life (hrs)	% Output @EOL	Output Notes Field	Ballast Used for Measurements
33		240	12000	80.00%		REI2G64G6MV


 212 Ideal Way
 Poultney, VT 05764 USA
 Phone-(802) 287-4195 Fax-(802) 287-4489
 www.firstlightusa.com
 email: sales@firstlightusa.com

*UV Output is based on lamps measured after 100 hours of operation under lab conditions. These values are subject to wide variations under application/field conditions.
 UV Output is measured at 254 nm
 **Rated Life is for reference purposes only and is based on a group of lamps operating under lab conditions. Actual life depends on the operating conditions of the lamp.

7/3/2018
 10:20:08 AM

This data includes matters which are trade secrets of First Light Technologies, Inc., or Proprietary or Confidential to First Light Technologies, Inc. and shall not be reproduced or disclosed in whole or part, or used in any manner except in connection with First Light Technologies, Inc. business, without the written permission of First Light Technologies, Inc.