

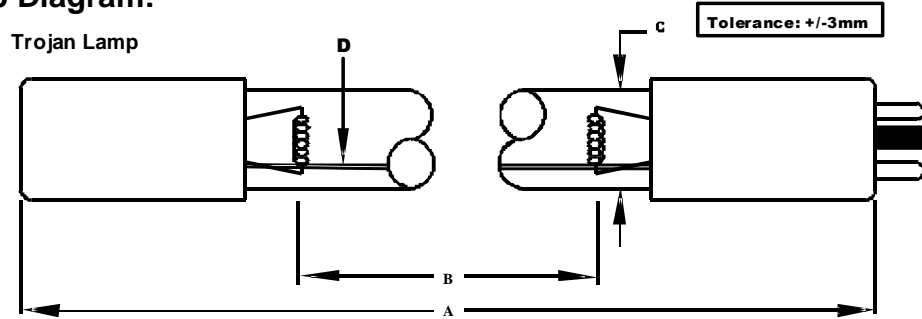
Lamp Type: G64T5LCA/2TC

Spec Number:

1886

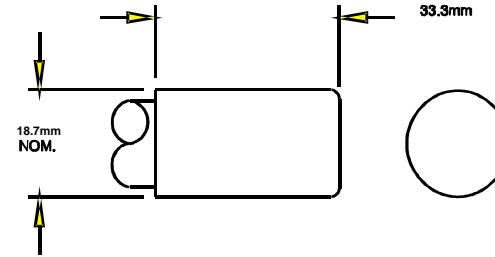
Engineering Specification Sheet

Lamp Diagram:



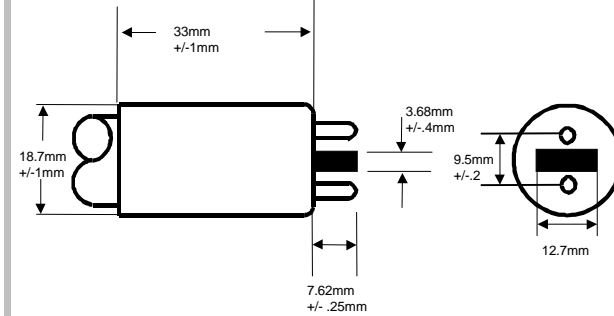
A08-62-C00 HD No Hole Base

Left Base Diagram:



A08-63-CP0 HD Trojan Base

Right Base Diagram:



Lamp Characteristics

(A) Base Face:	1554	mm		
(B) ARC:	1478mm		Operating Current	450mA
(C) Bulb Diameter:	15		Lamp Voltage:	170V
(X)			Lamp Wattage:	75W
Glass Type:	L (Non-Ozone)	Coating:	A11-QC-001	
If Spliced:	L	mm	VH	mm
(Y)				



UV Output

Output UVC Watts	Output μ /cm ² @ 1 Meter	Rated Life (hrs)	% Output @EOL	Output Notes Field	Ballast Used for Measurements
35	250	12000	80.00%		REL-2P60-S

First Light
 PO Box 191, 212 Ideal Way
 Poultney, VT 05764 USA
 Phone-(802) 287-4195 Fax-(802) 287-4489
 www.firstlightusa.com
 email: sales@firstlightusa.com

*UV Output is based on lamps measured after 100 hours of operation under lab conditions. These values are subject to wide variations under application/field conditions.
 UV Output is measured at 254 nm
 **Rated Life is for reference purposes only and is based on a group of lamps operating under lab conditions. Actual life depends on the operating conditions of the lamp.

12/16/2011
 12:18:05 PM

This data includes matters which are trade secrets of First Light Technologies, Inc., or Proprietary or Confidential to First Light Technologies, Inc. and shall not be reproduced or disclosed in whole or part, or used in any manner except in connection with First Light Technologies, Inc. business, without the written permission of First Light Technologies, Inc.