

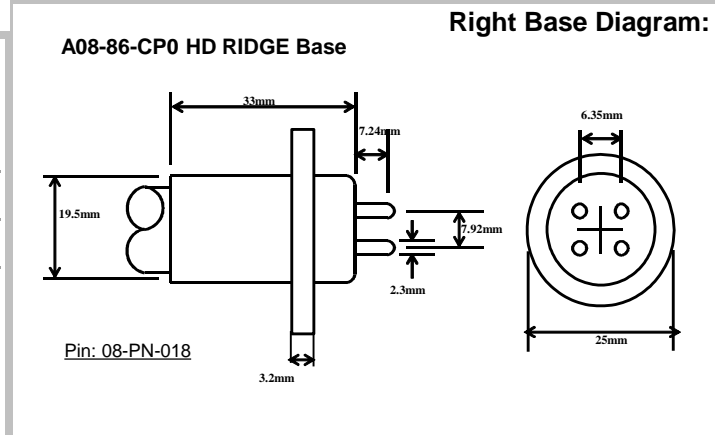
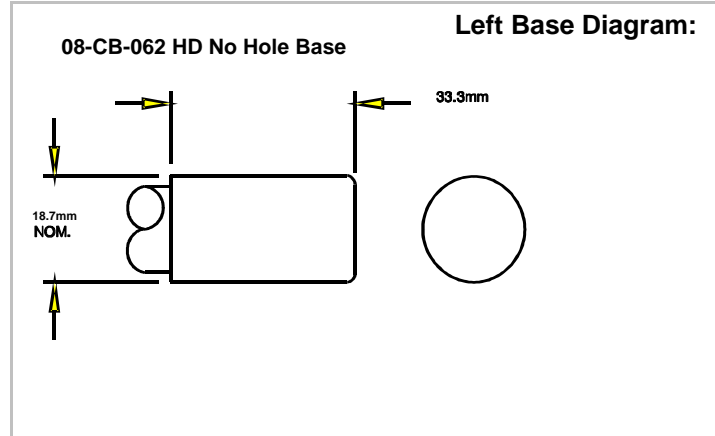
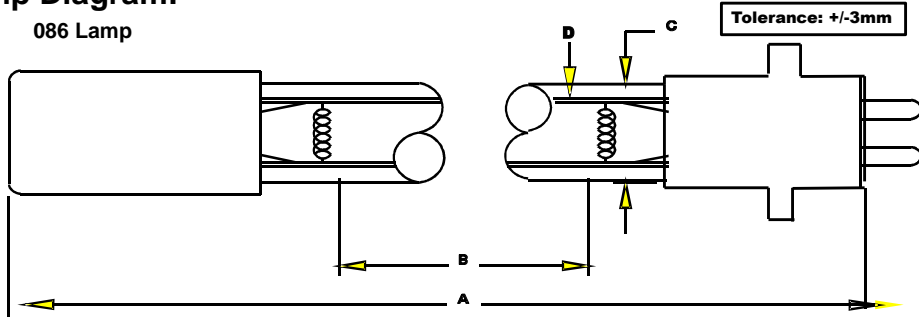
Lamp Type: GPH609T5VHCA/HO/CB-086
replaces 21000303

Spec Number:
1921

Engineering Specification Sheet

Lamp Diagram:

086 Lamp



Lamp Characteristics

| | | | | |
|-------------------|------------|----------|-------------------|--------|
| (A) Base Face: | 609 mm | +/- 3 | Operating Current | 800ma. |
| (B) ARC: | 533 | | Lamp Voltage | 65v |
| (C) Bulb Diameter | 15 | | Lamp Wattage | 52w |
| (X) | | | | |
| Glass Type: | VH (Ozone) | Coating: | A11-QC-001 | |

If Spliced matters which are trade secrets of First Light Technologies, Inc. or Proprietary or Confidential to First Light Technologies, Inc. and shall not be reproduced or disclosed in whole or part, or used in any manner except in connection with First Light Technologies, Inc. business, without the written permission of First Light Technologies, Inc.

(Y) 12/23/2015 086 Lamp

UV Output - Certified to be true. Kenneth A. Eil, President

| Output UVC Watts | Output μ /cm ² @ 1 Meter | Rated Life (hrs) | % Output @EOL | Output Notes Field | Ballast Used for Measurements |
|------------------|---|------------------|---------------|--------------------|-------------------------------|
| 22 | 190 | 12000 | 80.00% | | PSP2GPH40HO |

This data includes matters which are trade secrets of First Light Technologies, Inc., or Proprietary or Confidential to First Light Technologies, Inc. and shall not be reproduced in whole or part, or used in any manner except in connection with First Light Technologies, Inc. business, without the written permission of First Light Technologies, Inc.

12/23/2015 A08-86-CP0 Ridge Base

First Light
212 Ideal Way
Poultney, VT 05764 USA
Phone-(802) 287-4195 Fax-(802) 287-4489
www.firstlightusa.com
email: sales@firstlightusa.com

*UV Output is based on lamps measured after 100 hours of operation under lab conditions. These values are subject to wide variations under application/field conditions.
UV Output is measured at 254 nm
**Rated Life is for reference purposes only and is based on a group of lamps operating under lab conditions. Actual life depends on the operating conditions of the lamp.

12/28/2015
11:03:43 AM

This data includes matters which are trade secrets of First Light Technologies, Inc., or Proprietary or Confidential to First Light Technologies, Inc. and shall not be reproduced or disclosed in whole or part, or used in any manner except in connection with First Light Technologies, Inc. business, without the written permission of First Light Technologies, Inc.