

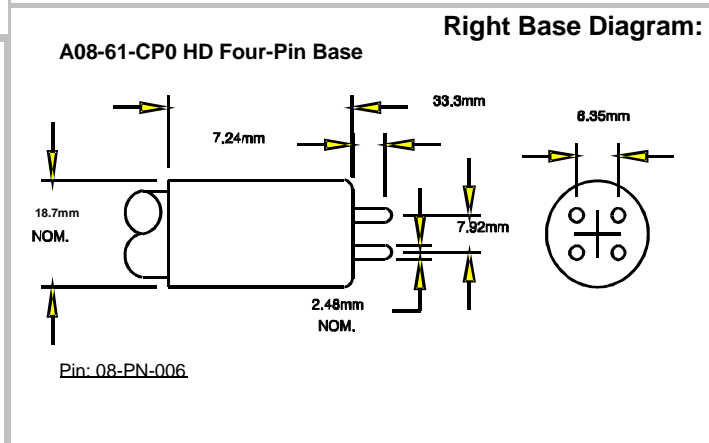
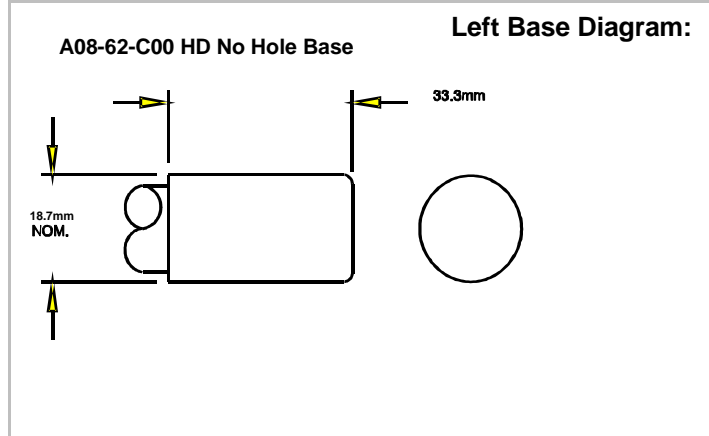
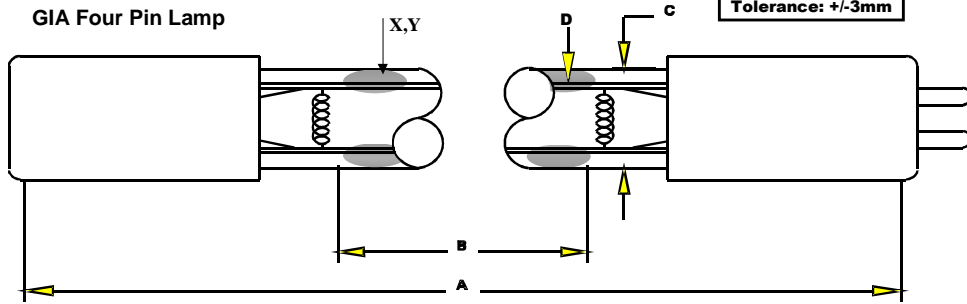
Lamp Type: GIA1554T5LCA/2S07/4C

Spec Number:

Engineering Specification Sheet

2360

Lamp Diagram:



Lamp Characteristics

(A) Base Face:	1554	mm		
(B) ARC:	1483mm		Operating Current	1.3A
(C) Bulb Diameter:	15		Lamp Voltage:	160V
(X) Amalgam			Lamp Wattage:	200W
Glass Type:	L (Non-Ozone)	Coating:	A11-QC-001	
If Spliced:	L	mm	VH	mm
	(Y)			



UV Output

Output UVC Watts	Output $\mu$ /cm <sup>2</sup> @ 1 Meter	Rated Life (hrs)	% Output @EOL	Output Notes Field	Ballast Used for Measurements
68	500	12000	80.00%		03-EB-221

**First Light**  
 PO Box 191, 212 Ideal Way  
 Poultney, VT 05764 USA  
 Phone-(802) 287-4195 Fax-(802) 287-4489  
 www.firstlightusa.com  
 email: sales@firstlightusa.com

\*UV Output is based on lamps measured after 100 hours of operation under lab conditions. These values are subject to wide variations under application/field conditions.  
 \*\*\*UV Output is measured at 254 nm\*\*\*  
 \*\*Rated Life is for reference purposes only and is based on a group of lamps operating under lab conditions. Actual life depends on the operating conditions of the lamp.

12/20/2011  
 1:24:54 PM

This data includes matters which are trade secrets of First Light Technologies, Inc., or Proprietary or Confidential to First Light Technologies, Inc. and shall not be reproduced or disclosed in whole or part, or used in any manner except in connection with First Light Technologies, Inc. business, without the written permission of First Light Technologies, Inc.