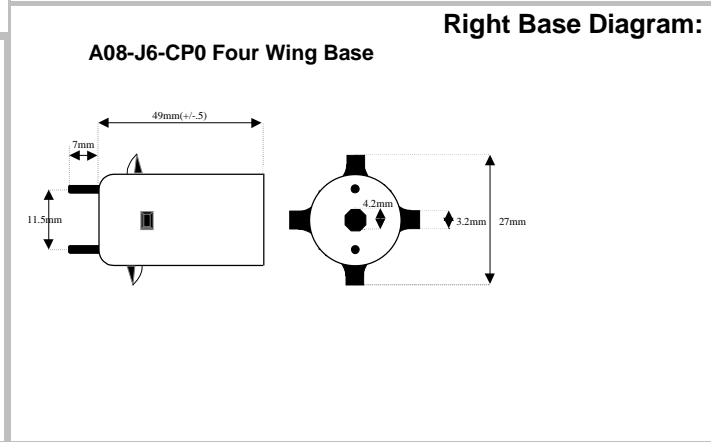
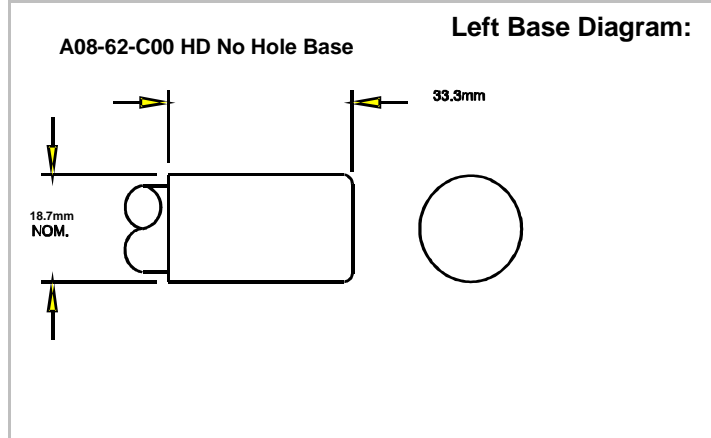
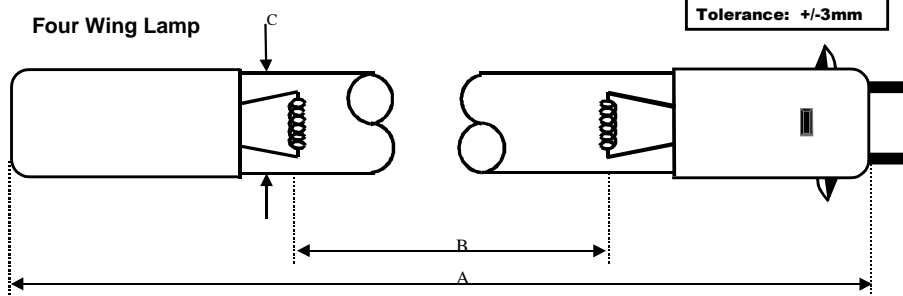


Lamp Type: G36T5LCA/S07/CB-0J6
 Aquafine replacement P/N17491

Spec Number:
 2482

Engineering Specification Sheet

Lamp Diagram:



Lamp Characteristics

(A) Base Face: 856 mm +/- .76 / -3mm
 (B) ARC: 762mm
 (C) Bulb Diameter: 15
 (X) _____
 Glass Type: L (Non-Ozone) Coating: A11-QC-001
 Operating Current: 420mA
 Lamp Voltage: 120V
 Lamp Wattage: 40W
 If Spliced: L _____ mm VH _____ mm
 (Y) _____



UV Output

Output UVC Watts	Output μ /cm ² @ 1 Meter	Rated Life (hrs)	% Output @EOL	Output Notes Field	Ballast Used for Measurements
16	150	12000	80.00%		SM-140-TP

First Light
 PO Box 191, 212 Ideal Way
 Poultney, VT 05764 USA
 Phone-(802) 287-4195 Fax-(802) 287-4489
 www.firstlightusa.com
 email: sales@firstlightusa.com

*UV Output is based on lamps measured after 100 hours of operation under lab conditions. These values are subject to wide variations under application/field conditions.
 UV Output is measured at 254 nm
 **Rated Life is for reference purposes only and is based on a group of lamps operating under lab conditions. Actual life depends on the operating conditions of the lamp.

12/10/2011
 2:51:10 PM