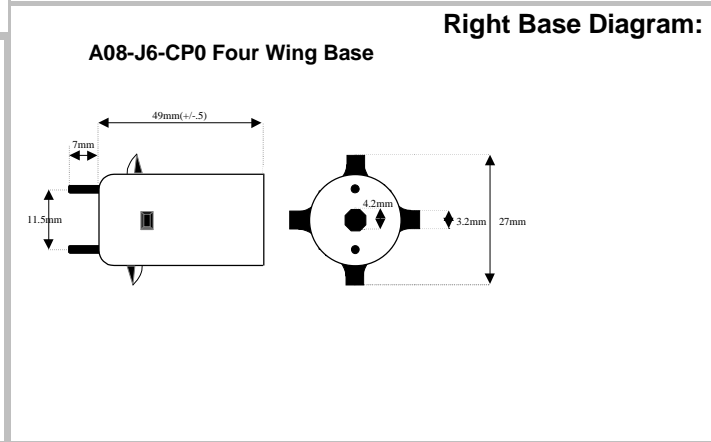
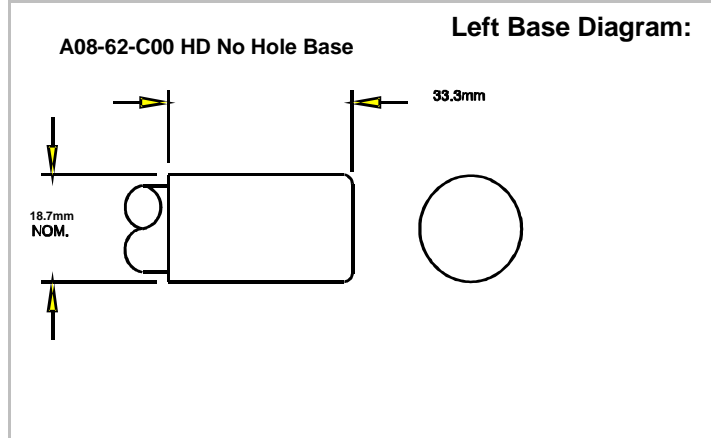
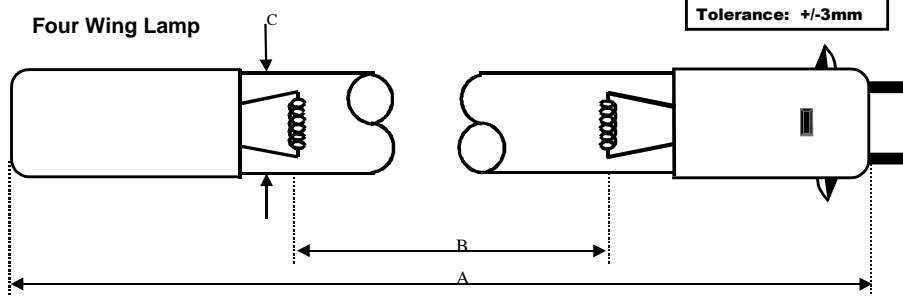


Lamp Type: G64T5VHCA/2S07/CB-0J6
 Aquafine replacement #17820

Spec Number:
 2485

Engineering Specification Sheet

Lamp Diagram:



Lamp Characteristics

(A) Base Face: 1567 mm +/-0.76 / -3mm
 (B) ARC: 1473mm
 (C) Bulb Diameter: 15
 (X) _____
 Glass Type: VH (Ozone) Coating: A11-QC-001
 Operating Current: 780mA
 Lamp Voltage: 170V
 Lamp Wattage: 130W
 If Spliced: L _____ mm VH _____ mm
 (Y) _____



UV Output

Output UVC Watts	Output μ /cm ² @ 1 Meter	Rated Life (hrs)	% Output @EOL	Output Notes Field	Ballast Used for Measurements
54	395	12000	80.00%		LCG800/240

First Light
 PO Box 191, 212 Ideal Way
 Poultney, VT 05764 USA
 Phone-(802) 287-4195 Fax-(802) 287-4489
 www.firstlightusa.com
 email: sales@firstlightusa.com

*UV Output is based on lamps measured after 100 hours of operation under lab conditions. These values are subject to wide variations under application/field conditions.
 UV Output is measured at 254 nm
 **Rated Life is for reference purposes only and is based on a group of lamps operating under lab conditions. Actual life depends on the operating conditions of the lamp.

12/10/2011
 2:53:28 PM

This data includes matters which are trade secrets of First Light Technologies, Inc., or Proprietary or Confidential to First Light Technologies, Inc. and shall not be reproduced or disclosed in whole or part, or used in any manner except in connection with First Light Technologies, Inc. business, without the written permission of First Light Technologies, Inc.