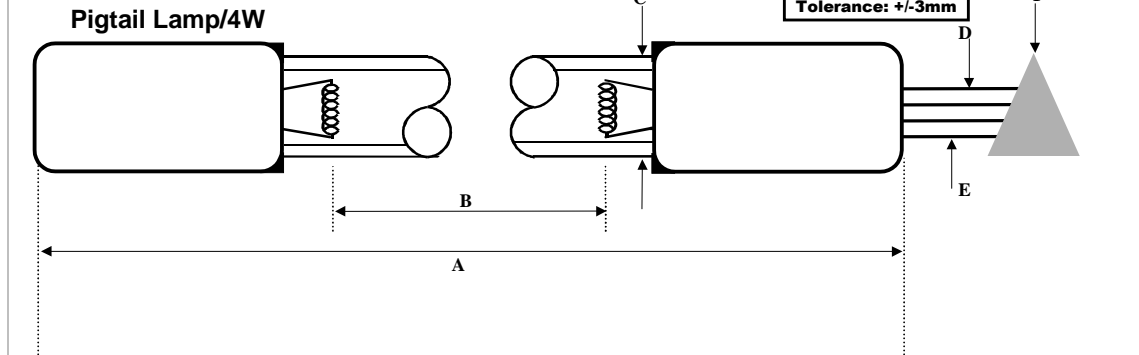


Lamp Type: GPH325T6LCA/HO/PT-3"/W/CB-0L4
(NLR1825WS)

Spec Number: 2741

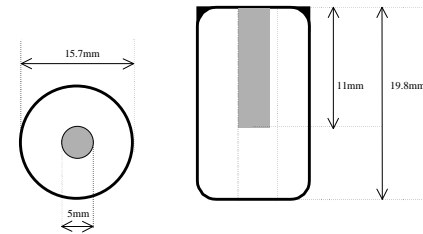
Engineering Specification Sheet

Lamp Diagram:



A08-L4-C00 18mm Pigtail Base

Left Base Diagram:



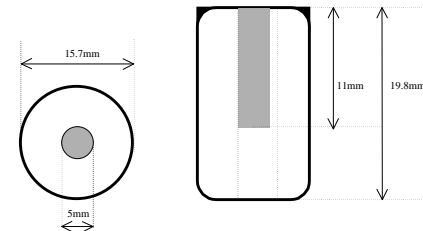
Lamp Characteristics

(A) Base Face: 325 mm
 (B) ARC: 243mm
 (C) Bulb Diameter: 17.5
 (X) _____
 Glass Type: Ozone-Free Coating: A11-QC-001
 If Spliced: L _____ mm VH _____ mm
 (Y) _____

Operating Current: 700mA
 Lamp Voltage: 28V
 Lamp Wattage: 16.5W

A08-L4-C00 18mm Pigtail Base

Right Base Diagram:



UV Output

Output UVC Watts	Output μ /cm ² @ 1 Meter	Rated Life (hrs)	% Output @EOL	Output Notes Field	Ballast Used for Measurements
6	60	12000	80.00%		PSP2GPH40HO

First Light
 PO Box 191, 212 Ideal Way
 Poultney, VT 05764 USA
 Phone-(802) 287-4195 Fax-(802) 287-4489
 www.firstlightusa.com
 email: sales@firstlightusa.com

*UV Output is based on lamps measured after 100 hours of operation under lab conditions. These values are subject to wide variations under application/field conditions.
 UV Output is measured at 254 nm
 **Rated Life is for reference purposes only and is based on a group of lamps operating under lab conditions. Actual life depends on the operating conditions of the lamp.

12/21/2011
 1:43:18 PM