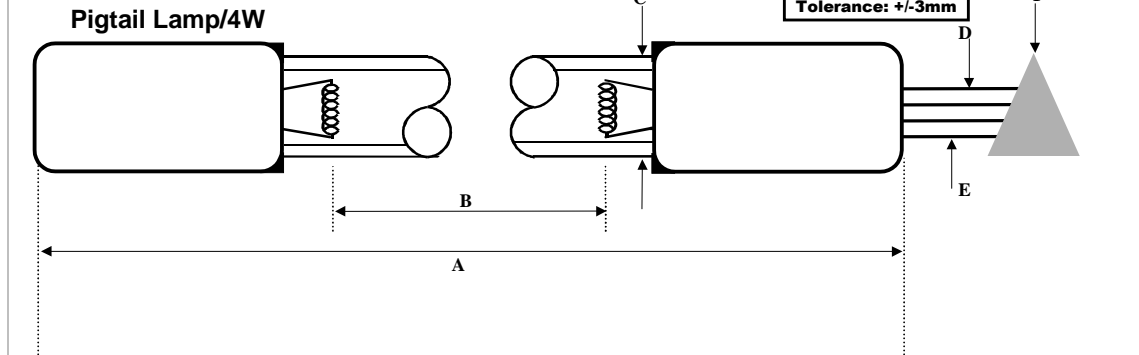


Lamp Type: GPH875T6LCA/HO/PT-3"/W/CB-0L4  
(NLR1880WS)

Spec Number: 2743

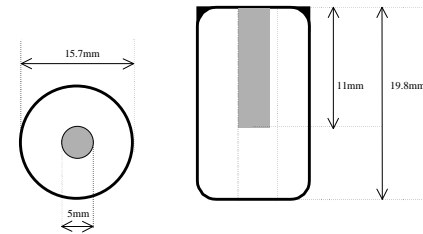
Engineering Specification Sheet

Lamp Diagram:



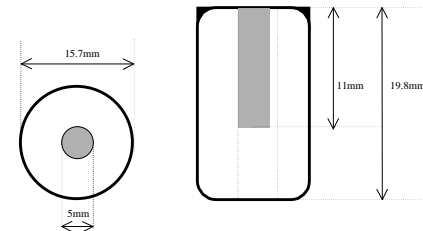
A08-L4-C00 18mm Pigtail Base

Left Base Diagram:



A08-L4-C00 18mm Pigtail Base

Right Base Diagram:



Lamp Characteristics

(A) Base Face: 875 mm  
 (B) ARC: 793mm  
 (C) Bulb Diameter: 17.5  
 (X) \_\_\_\_\_  
 Glass Type: Ozone-Free Coating: A11-QC-001  
 Operating Current: 800mA  
 Lamp Voltage: 110v  
 Lamp Wattage: 84w  
 If Spliced: L \_\_\_\_\_ mm VH \_\_\_\_\_ mm  
 (Y) \_\_\_\_\_



UV Output

Output UVC Watts	Output $\mu$ /cm <sup>2</sup> @ 1 Meter	Rated Life (hrs)	% Output @EOL	Output Notes Field	Ballast Used for Measurements
28	260	12000	80.00%		PSP2GPH40HO

**First Light**  
 PO Box 191, 212 Ideal Way  
 Poultney, VT 05764 USA  
 Phone-(802) 287-4195 Fax-(802) 287-4489  
 www.firstlightusa.com  
 email: sales@firstlightusa.com

\*UV Output is based on lamps measured after 100 hours of operation under lab conditions. These values are subject to wide variations under application/field conditions.  
 \*\*\*UV Output is measured at 254 nm\*\*\*  
 \*\*Rated Life is for reference purposes only and is based on a group of lamps operating under lab conditions. Actual life depends on the operating conditions of the lamp.

12/21/2011  
 1:43:43 PM