

Lamp Type: GPH287T5LCA/CB-0N6

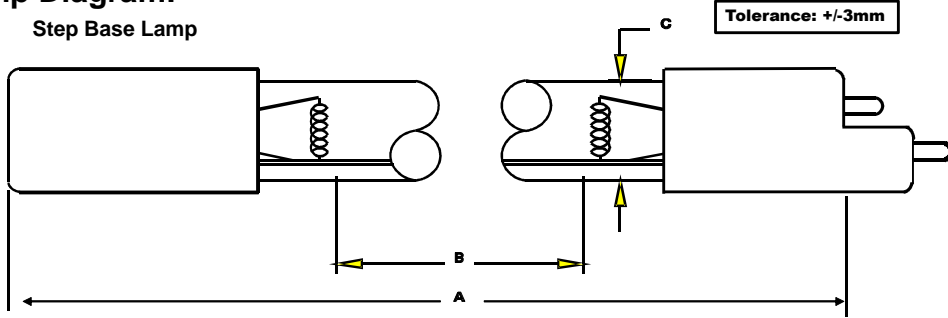
Spec Number:

2773

*Engineering Specification Sheet*

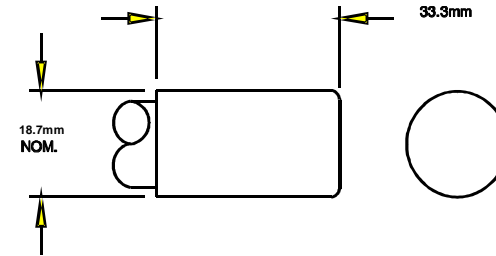
**Lamp Diagram:**

Step Base Lamp



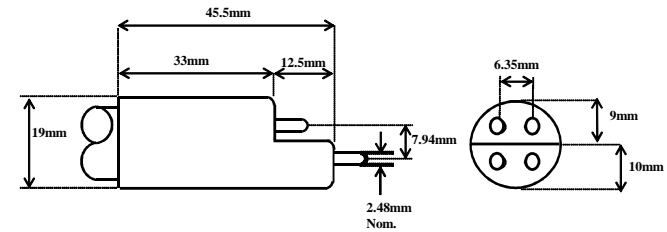
**A08-62-C00 HD No Hole Base**

**Left Base Diagram:**



**A08-N6-CP0 Step Base**

**Right Base Diagram:**



Pin: 08-PN-006

**Lamp Characteristics**

(A) Base Face:	297	mm	+/- 3		
(B) ARC:	211	mm		Operating Current	380mA
(C) Bulb Diameter	15	mm		Lamp Voltage	39V
(X)				Lamp Wattage	14W
Glass Type:	L (Non-Ozone)	Coating:	A11-QC-001		
<b>If Spliced:</b>	L	mm	VH	mm	
(Y)					

**UV Output - Certified to be true. Kenneth A. Ell, President**

Output UVC Watts	micro/watt	/cm <sup>2</sup> @ 1 Meter	Rated Life (hrs)	% Output @EOL	Output Notes Field	Ballast Used for Measurements
4		40	12000	80.00%		GPH20120

**First Light**  
 212 Ideal Way  
 Poultney, VT 05764 USA  
 Phone-(802) 287-4195 Fax-(802) 287-4489  
 www.firstlightusa.com  
 email: sales@firstlightusa.com

\*UV Output is based on lamps measured after 100 hours of operation under lab conditions. These values are subject to wide variations under application/field conditions.  
 \*\*\*UV Output is measured at 254 nm\*\*\*  
 \*\*Rated Life is for reference purposes only and is based on a group of lamps operating under lab conditions. Actual life depends on the operating conditions of the lamp.

7/3/2018  
 11:21:10 AM

This data includes matters which are trade secrets of First Light Technologies, Inc., or Proprietary or Confidential to First Light Technologies, Inc. and shall not be reproduced or disclosed in whole or part, or used in any manner except in connection with First Light Technologies, Inc. business, without the written permission of First Light Technologies, Inc.