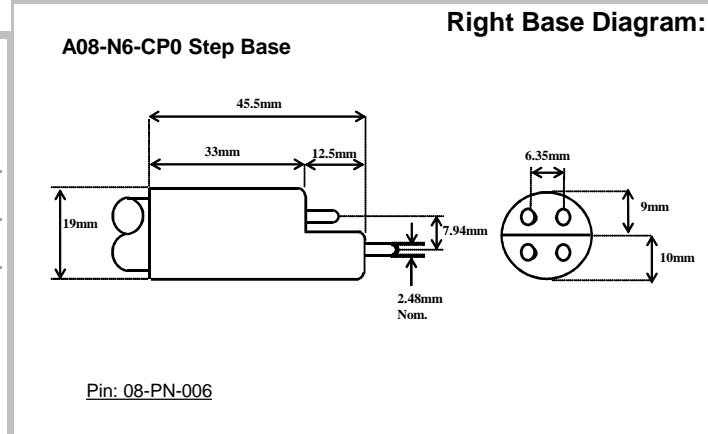
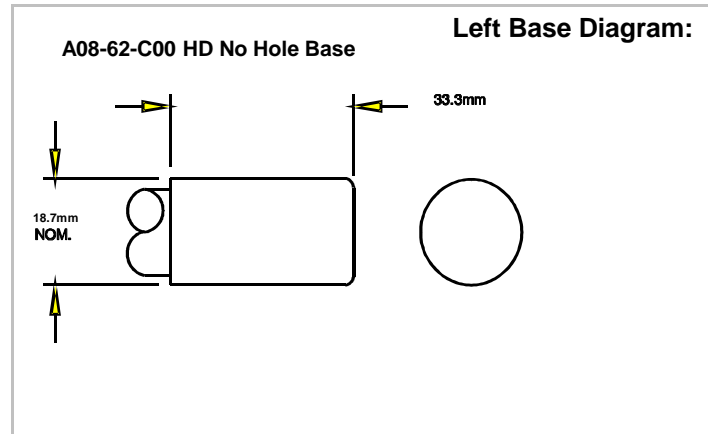
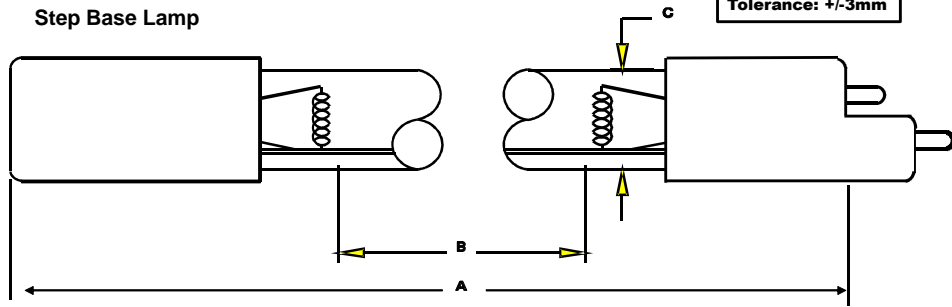


Lamp Type: G64T5VHCA/2S07/CB-0N6B  
Replaces 19905 UD

Spec Number:  
2782

Engineering Specification Sheet

Lamp Diagram:



Lamp Characteristics

(A) Base Face:	1554	mm	+/- 3mm		
(B) ARC:	1478	mm		Operating Current	800mA
(C) Bulb Diameter	15	mm		Lamp Voltage	170V
(X)				Lamp Wattage	130W
Glass Type:	VH (Ozone)	Coating:	A11-QC-001		
If Spliced:	L	mm	VH	mm	
(Y)					

UV Output - Certified to be true. Kenneth A. Ell, President

Output UVC Watts	micro/watt	/cm <sup>2</sup> @ 1 Meter	Rated Life (hrs)	% Output @EOL	Output Notes Field	Ballast Used for Measurements
54		380	12000	80.00%		REI2G6496HOMV

**First Light**  
212 Ideal Way  
Poultney, VT 05764 USA  
Phone-(802) 287-4195 Fax-(802) 287-4489  
www.firstlightusa.com  
email: sales@firstlightusa.com

\*UV Output is based on lamps measured after 100 hours of operation under lab conditions. These values are subject to wide variations under application/field conditions.  
\*\*\*UV Output is measured at 254 nm\*\*\*  
\*\*Rated Life is for reference purposes only and is based on a group of lamps operating under lab conditions. Actual life depends on the operating conditions of the lamp.

7/3/2018  
11:22:41 AM

This data includes matters which are trade secrets of First Light Technologies, Inc., or Proprietary or Confidential to First Light Technologies, Inc. and shall not be reproduced or disclosed in whole or part, or used in any manner except in connection with First Light Technologies, Inc. business, without the written permission of First Light Technologies, Inc.