

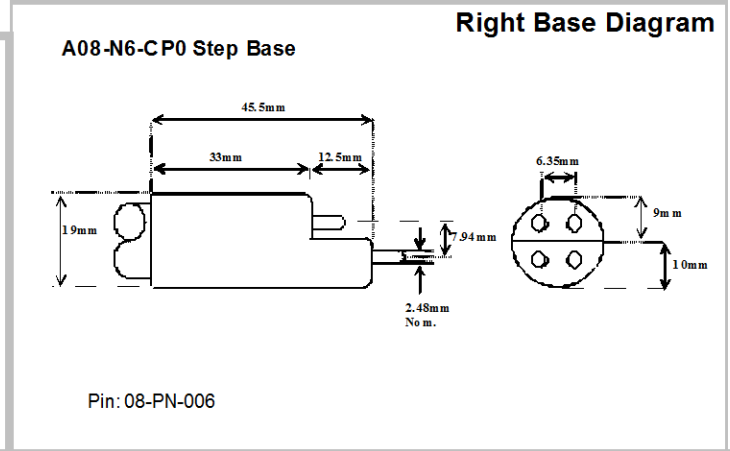
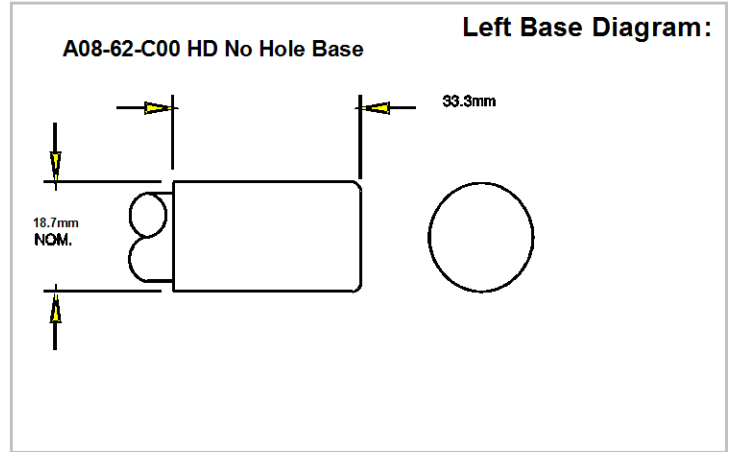
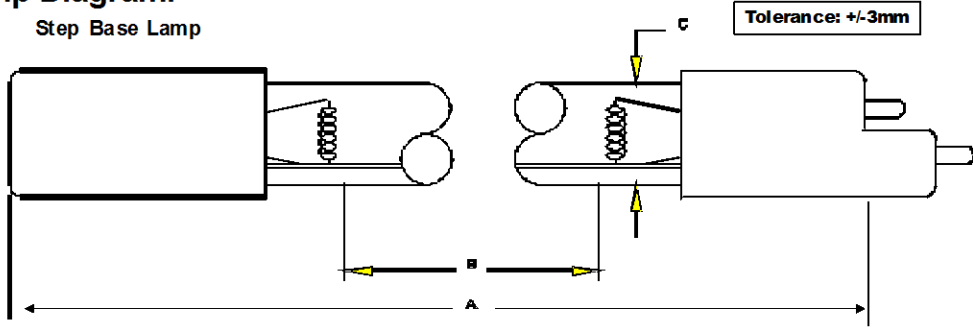
**Lamp Type:** GPH357T5LCA/CB-0N6  
Replaces 8060UDC

**Spec Number:**  
2786

*Engineering Specification Sheet*

**Lamp Diagram:**

Step Base Lamp



**Lamp Characteristics**

(A) Base Face:	357 mm	+/- 3mm		
(B) ARC:	281mm		Operating Current	320mA
(C) Bulb Diameter	15		Lamp Voltage	56V
(X)			Lamp Wattage	16W
Glass Type:	L (Non-Ozone)	Coating	A11-QC-001	
<b>If Spliced:</b>	L	mm	VH	mm
	(Y)			



**UV Output**

Output UVC Watts	Output $\mu$ /cm <sup>2</sup> @ 1 Meter	Rated Life (hrs)	% Output @EOL	Output Notes Field	Ballast Used for Measurements
5.7	56	12000	80.00%		SSGPH287 Robertson



212 Ideal Way  
Poultney, VT 05764 USA  
Phone-(802) 287-4195 Fax-(802) 287-4489  
www.firstlightusa.com  
email: sales@firstlightusa.com

\*UV Output is based on lamps measured after 100 hours of operation under lab conditions. These values are subject to wide variations under application/field conditions.

9/29/2014

\*\*\*UV Output is measured at 254 nm\*\*\*

11:27:04 AM

\*\*Rated Life is for reference purposes only and is based on a group of lamps operating under lab conditions. Actual life depends on the operating conditions of the lamp.