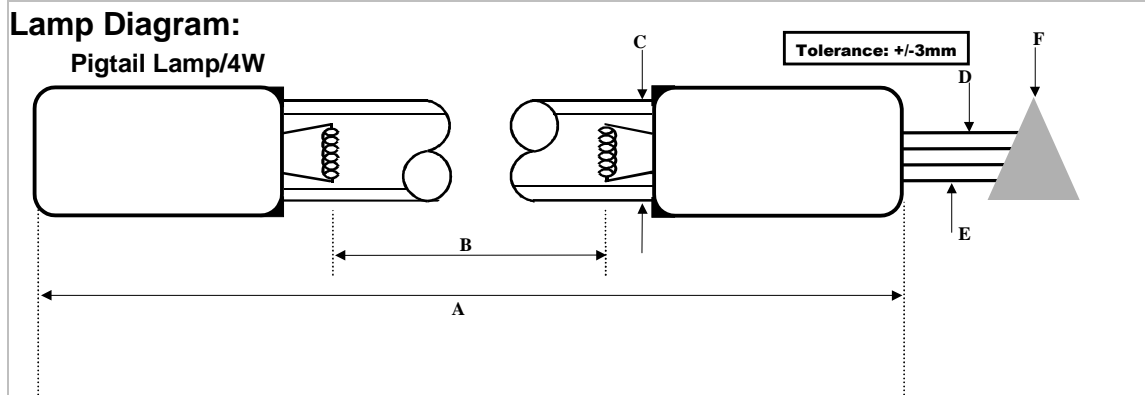


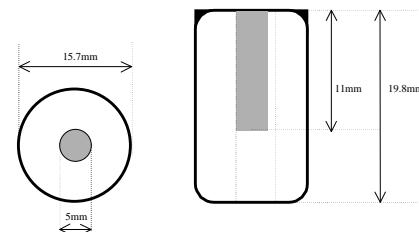
Lamp Type: GPH875T6LCA/HO/PT-3"/T/CB-0L4 (XLR-10) Spec Number: 2816

Engineering Specification Sheet



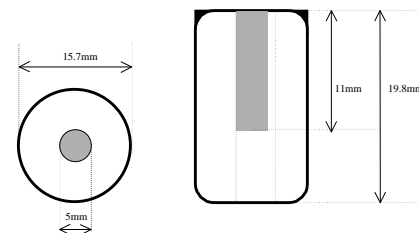
A08-L4-C00 18mm Pigtail Base

Left Base Diagram:



A08-L4-C00 18mm Pigtail Base

Right Base Diagram:



Lamp Characteristics

(A) Base Face: 875 mm
 (B) ARC: 793mm
 (C) Bulb Diameter: 17.5
 (X) _____
 Glass Type: L (Non-Ozone) Coating: A11-QC-001
If Spliced: L _____ mm VH _____ mm
 (Y) _____

Operating Current: 800mA
 Lamp Voltage: 110V
 Lamp Wattage: 84W



UV Output

Output UVC Watts	Output μ /cm ² @ 1 Meter	Rated Life (hrs)	% Output @EOL	Output Notes Field	Ballast Used for Measurements
28	260	12000	80.00%		PSP2GPH40HO

First Light
 PO Box 191, 212 Ideal Way
 Poultney, VT 05764 USA
 Phone-(802) 287-4195 Fax-(802) 287-4489
 www.firstlightusa.com
 email: sales@firstlightusa.com

*UV Output is based on lamps measured after 100 hours of operation under lab conditions. These values are subject to wide variations under application/field conditions.
 UV Output is measured at 254 nm
 **Rated Life is for reference purposes only and is based on a group of lamps operating under lab conditions. Actual life depends on the operating conditions of the lamp.

12/21/2011
 1:43:59 PM

This data includes matters which are trade secrets of First Light Technologies, Inc., or Proprietary or Confidential to First Light Technologies, Inc. and shall not be reproduced or disclosed in whole or part, or used in any manner except in connection with First Light Technologies, Inc. business, without the written permission of First Light Technologies, Inc.