

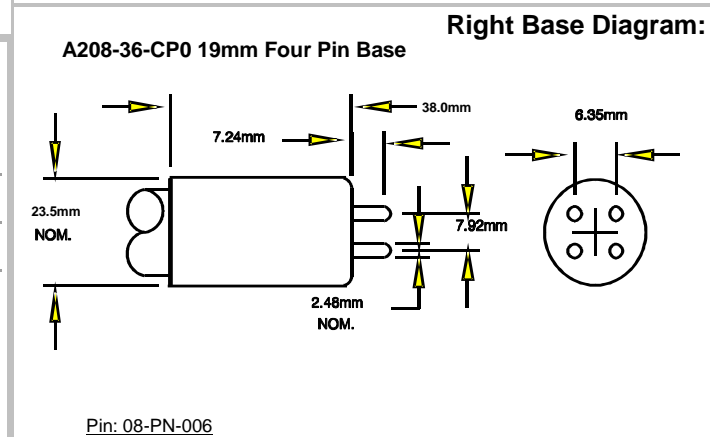
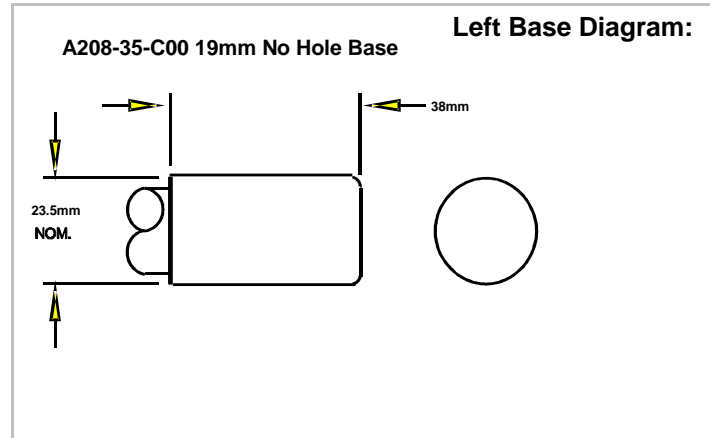
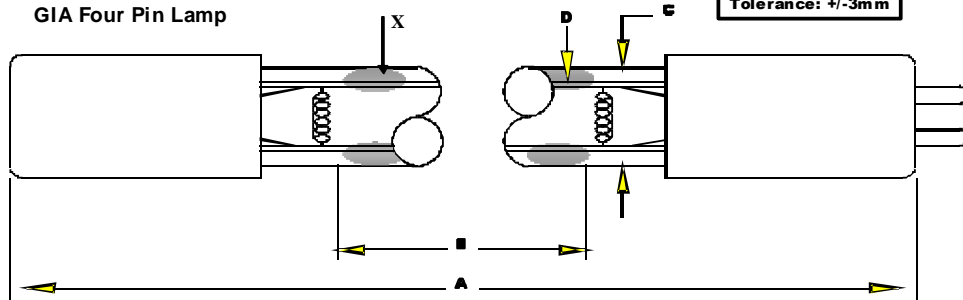
Lamp Type: GIA1570T6LCA/HO/4C

Spec Number:

Engineering Specification Sheet

2898

Lamp Diagram:



Lamp Characteristics

(A) Base Face:	1570	mm	+/- 3		
(B) ARC:	1483	mm		Operating Current	2.2a
(C) Bulb Diameter	19	mm		Lamp Voltage	145v
(X) Amalgam				Lamp Wattage	320w
Glass Type:	L (Non-Ozone)	Coating:	A11-QC-001		
If Spliced:	L	mm	VH	mm	
(Y)					

UV Output - Certified to be true. Kenneth A. Ell, President

Output UVC Watts	micro/watt	/cm^2 @ 1 Meter	Rated Life (hrs)	% Output @EOL	Output Notes Field	Ballast Used for Measurements
105		750	12000	80.00%		Zed 320/2.2A

First Light
 212 Ideal Way
 Poultney, VT 05764 USA
 Phone-(802) 287-4195 Fax-(802) 287-4489
 www.firstlightusa.com
 email: sales@firstlightusa.com

*UV Output is based on lamps measured after 100 hours of operation under lab conditions. These values are subject to wide variations under application/field conditions.
 UV Output is measured at 254 nm
 **Rated Life is for reference purposes only and is based on a group of lamps operating under lab conditions. Actual life depends on the operating conditions of the lamp.

8/10/2016
 9:29:42 AM

This data includes matters which are trade secrets of First Light Technologies, Inc., or Proprietary or Confidential to First Light Technologies, Inc. and shall not be reproduced or disclosed in whole or part, or used in any manner except in connection with First Light Technologies, Inc. business, without the written permission of First Light Technologies, Inc.