

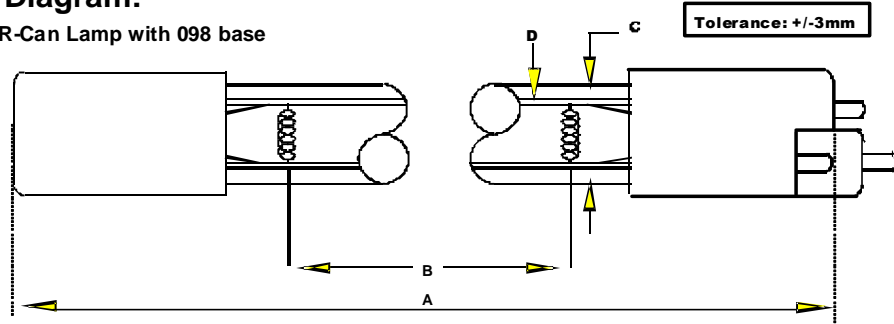
Lamp Type: GPH1554T5VHCA/CB-098  
R-Can S64ROL

Spec Number:  
2925

*Engineering Specification Sheet*

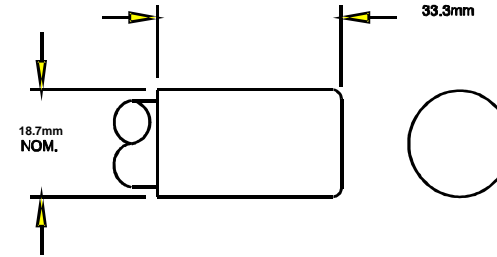
**Lamp Diagram:**

R-Can Lamp with 098 base



A08-62-C00 HD No Hole Base

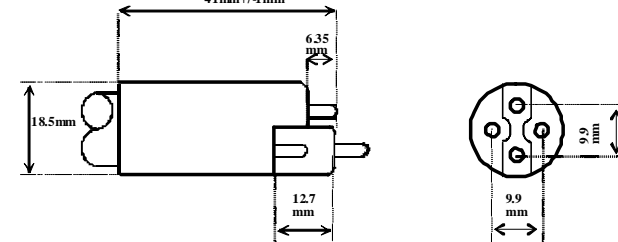
**Left Base Diagram:**



**Right Base Diagram:**

08-CB-098 R-Can Base

08-PC-098 R-Can Base with Vendor Supplied Pin



Pin: 08-PN-006

**Lamp Characteristics**

(A) Base Face: 1554 mm  
 (B) ARC: 1478mm  
 (C) Bulb Diameter: 15  
 (X) \_\_\_\_\_  
 Glass Type: VH (Ozone) Coating: A11-QC-001  
**If Spliced:** L \_\_\_\_\_ mm VH \_\_\_\_\_ mm  
 (Y) \_\_\_\_\_

Operating Current: 420mA  
 Lamp Voltage: 160V  
 Lamp Wattage: 65W



**UV Output**

Output UVC Watts	Output $\mu$ /cm <sup>2</sup> @ 1 Meter	Rated Life (hrs)	% Output @EOL	Output Notes Field	Ballast Used for Measurements
33	240	12000	80.00%		REL-2P60-S

**First Light**  
 PO Box 191, 212 Ideal Way  
 Poultney, VT 05764 USA  
 Phone-(802) 287-4195 Fax-(802) 287-4489  
 www.firstlightusa.com  
 email: sales@firstlightusa.com

\*UV Output is based on lamps measured after 100 hours of operation under lab conditions. These values are subject to wide variations under application/field conditions.  
 \*\*\*UV Output is measured at 254 nm\*\*\*  
 \*\*Rated Life is for reference purposes only and is based on a group of lamps operating under lab conditions. Actual life depends on the operating conditions of the lamp.

12/21/2011  
1:29:52 PM

This data includes matters which are trade secrets of First Light Technologies, Inc., or Proprietary or Confidential to First Light Technologies, Inc. and shall not be reproduced or disclosed in whole or part, or used in any manner except in connection with First Light Technologies, Inc. business, without the written permission of First Light Technologies, Inc.