

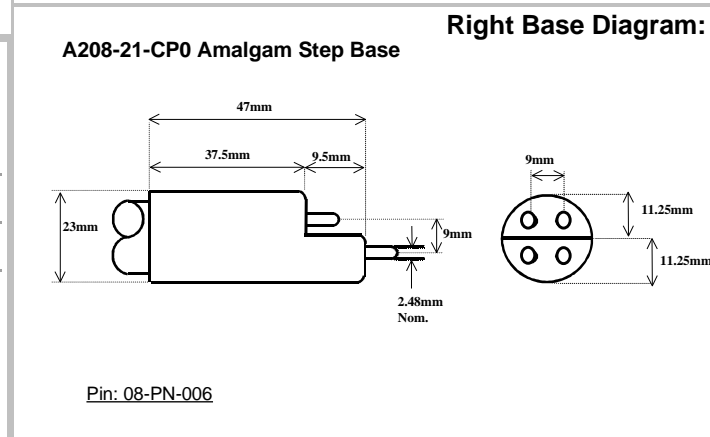
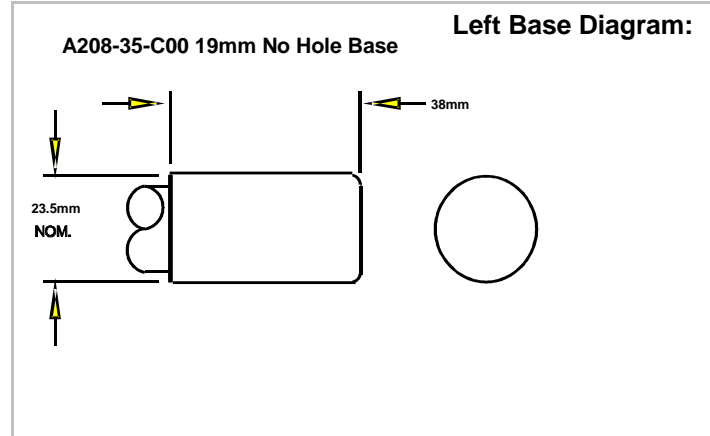
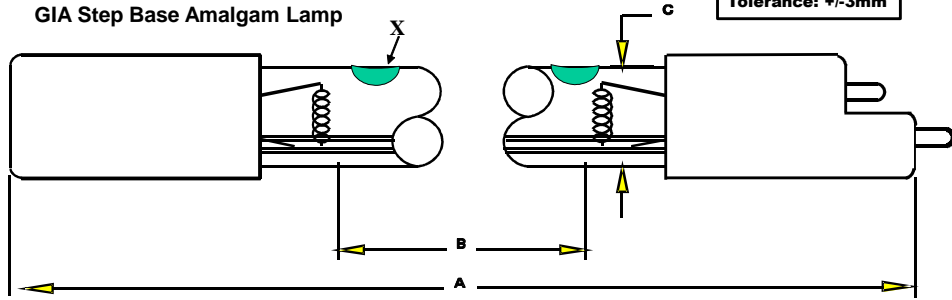
Lamp Type: GIA1002T6LCA/HO/CB-021

Spec Number:

2932

Engineering Specification Sheet

Lamp Diagram:



Lamp Characteristics

(A) Base Face:	1002	mm		
(B) ARC:	921	mm	Operating Current	2A
(C) Bulb Diameter	19	mm	Lamp Voltage	85v
(X) Amalgam (Place dots 245mm from end)			Lamp Wattage	170w
Glass Type:	L (Non-Ozone)	Coating:	A11-QC-001	

If Spliced: L _____ mm VH _____ mm
This information is a trade secret of First Light Technologies, Inc. or Proprietary or Confidential to First Light Technologies, Inc. and shall not be reproduced or disclosed in whole or part, or used in any manner except in connection with First Light Technologies, Inc. business, without the written permission of First Light Technologies, Inc.

8/10/2016

GIA Step Base Amalgam Lamp

UV Output - Certified to be true. Kenneth A. Ell, President

Output UVC Watts	micro/watt /cm ² @ 1 Meter	Rated Life (hrs)	% Output @EOL	Output Notes Field	Ballast Used for Measurements
56	500	12000	80.00%		

First Light
 212 Ideal Way
 Poultney, VT 05764 USA
 Phone-(802) 287-4195 Fax-(802) 287-4489
 www.firstlightusa.com
 email: sales@firstlightusa.com

*UV Output is based on lamps measured after 100 hours of operation under lab conditions. These values are subject to wide variations under application/field conditions.
 UV Output is measured at 254 nm
 **Rated Life is for reference purposes only and is based on a group of lamps operating under lab conditions. Actual life depends on the operating conditions of the lamp.

8/10/2016
 9:36:10 AM

This data includes matters which are trade secrets of First Light Technologies, Inc., or Proprietary or Confidential to First Light Technologies, Inc. and shall not be reproduced or disclosed in whole or part, or used in any manner except in connection with First Light Technologies, Inc. business, without the written permission of First Light Technologies, Inc.