

Lamp Type: GPH840T5LCA/HO/CB-098

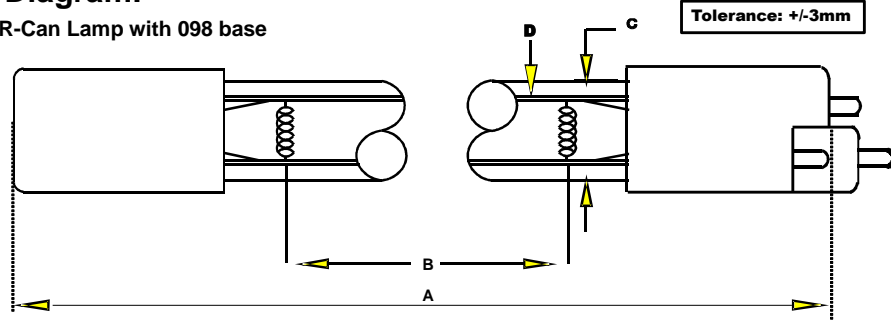
Spec Number:

2969

Engineering Specification Sheet

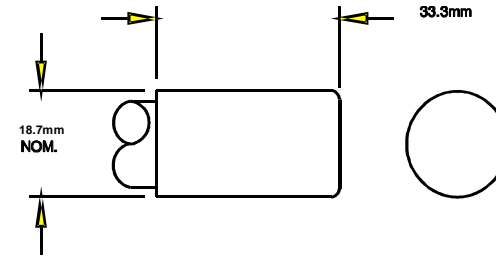
Lamp Diagram:

R-Can Lamp with 098 base



A08-PP-C00 HD No Hole Base Black

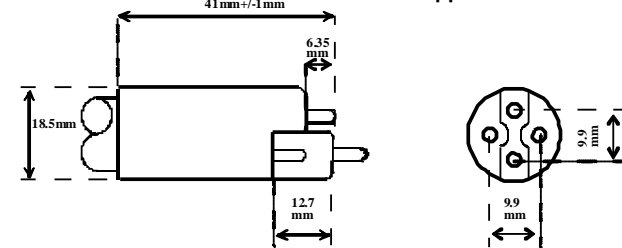
Left Base Diagram:



Right Base Diagram:

08-CB-098 R-Can Base

08-PC-098 R-Can Base with Vendor Supplied Pin



Pin: 08-PN-006

Lamp Characteristics

(A) Base Face:	840 mm	+/- 3		
(B) ARC:	758mm		Operating Current	800mA
(C) Bulb Diameter	15		Lamp Voltage	100V
(X)			Lamp Wattage	80W
Glass Type:	L (Non-Ozone)	Coating:	A11-QC-001	
If Spliced:	L	mm	VH	mm
(Y)				



UV Output - Certified to be true. Kenneth A. Ell, President

Output UVC Watts	micro/watt	/cm^2 @ 1 Meter	Rated Life (hrs)	% Output @EOL	Output Notes Field	Ballast Used for Measurements
28		260	12000	80.00%		PSP2GPH40/HO

First Light
 212 Ideal Way
 Poultney, VT 05764 USA
 Phone-(802) 287-4195 Fax-(802) 287-4489
 www.firstlightusa.com
 email: sales@firstlightusa.com

*UV Output is based on lamps measured after 100 hours of operation under lab conditions. These values are subject to wide variations under application/field conditions.
 UV Output is measured at 254 nm
 **Rated Life is for reference purposes only and is based on a group of lamps operating under lab conditions. Actual life depends on the operating conditions of the lamp.

7/10/2018
 4:03:20 PM

This data includes matters which are trade secrets of First Light Technologies, Inc., or Proprietary or Confidential to First Light Technologies, Inc. and shall not be reproduced or disclosed in whole or part, or used in any manner except in connection with First Light Technologies, Inc. business, without the written permission of First Light Technologies, Inc.