

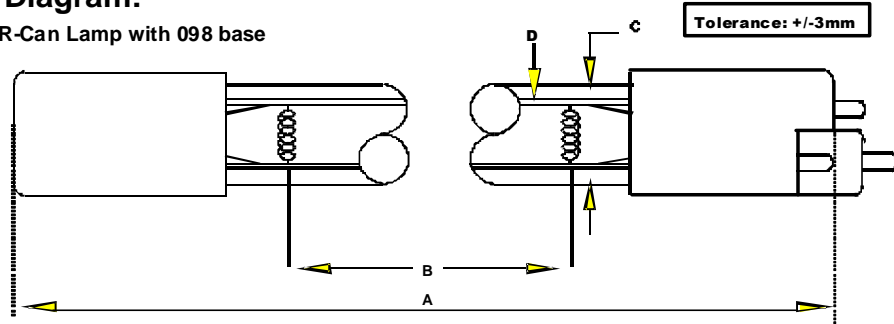
Lamp Type: GPH200T5LCA/HO/CB-098  
R-Can S100RL-HO

Spec Number:  
3237

*Engineering Specification Sheet*

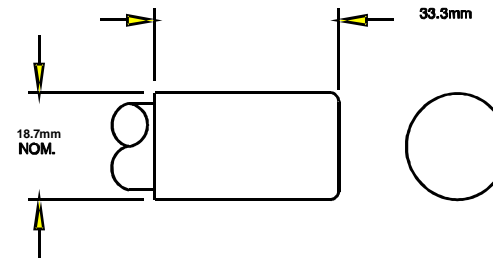
**Lamp Diagram:**

R-Can Lamp with 098 base



A08-62-C00 HD No Hole Base

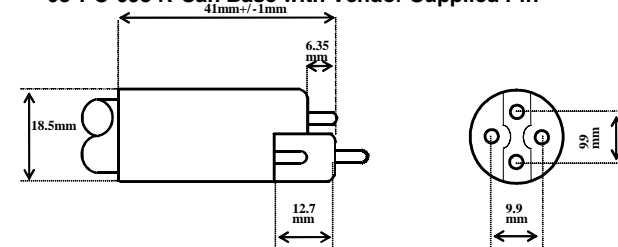
**Left Base Diagram:**



**Right Base Diagram:**

08-CB-098 R-Can Base

08-PC-098 R-Can Base with Vendor Supplied Pin



Pin: 08-PN-006

**Lamp Characteristics**

(A) Base Face: 200 mm +/- 3mm  
 (B) ARC: 116  
 (C) Bulb Diameter: 15  
 (X) \_\_\_\_\_  
 Glass Type: L (Non Ozone) Coating: A11-QC-001  
**If Spliced:** L mm VH mm  
 (Y) \_\_\_\_\_

Operating Current: 800ma.  
 Lamp Voltage: 18v  
 Lamp Wattage: 15w



**UV Output**

Output UVC Watts	Output $\mu$ /cm <sup>2</sup> @ 1 Meter	Rated Life (hrs)	% Output @EOL	Output Notes Field	Ballast Used for Measurements
6	50	12000	80.00%		PSP2GPH40

**First Light**  
 PO Box 191, 212 Ideal Way  
 Poultney, VT 05764 USA  
 Phone-(802) 287-4195 Fax-(802) 287-4489  
 www.firstlightusa.com  
 email: sales@firstlightusa.com

\*UV Output is based on lamps measured after 100 hours of operation under lab conditions. These values are subject to wide variations under application/field conditions.

\*\*\*UV Output is measured at 254 nm\*\*\*

\*\*Rated Life is for reference purposes only and is based on a group of lamps operating under lab conditions. Actual life depends on the operating conditions of the lamp.

12/21/2011

1:40:49 PM