

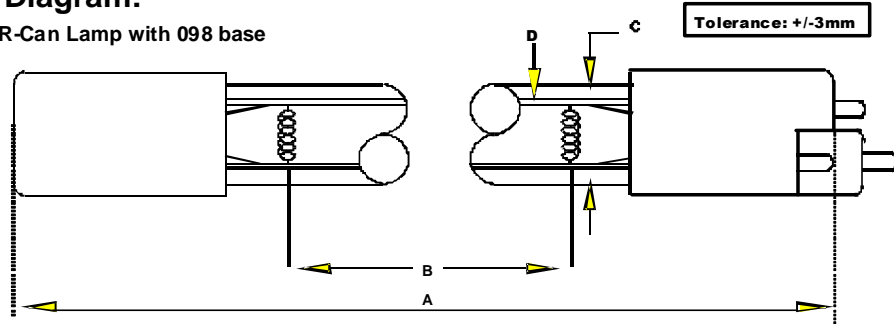
Lamp Type: GPH250T5LCA/HO/CB-098
R-Can S150RL-HO

Spec Number: 3309

Engineering Specification Sheet

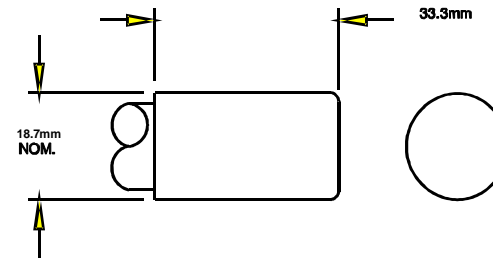
Lamp Diagram:

R-Can Lamp with 098 base



A08-62-C00 HD No Hole Base

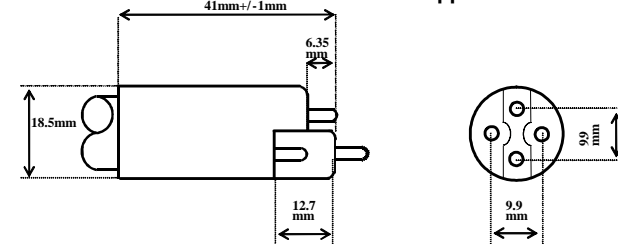
Left Base Diagram:



Right Base Diagram:

08-CB-098 R-Can Base

08-PC-098 R-Can Base with Vendor Supplied Pin



Pin: 08-PN-006

Lamp Characteristics

(A) Base Face: 250 mm
 (B) ARC: 166
 (C) Bulb Diameter: 15
 (X) _____
 Glass Type: L (Non Ozone) Coating: A11-QC-001
 Operating Current: 800ma.
 Lamp Voltage: 32v
 Lamp Wattage: 24w
If Spliced: L _____ mm VH _____ mm
 (Y) _____



UV Output

Output UVC Watts	Output μ /cm ² @ 1 Meter	Rated Life (hrs)	% Output @EOL	Output Notes Field	Ballast Used for Measurements
7	68	12000	80.00%		PSPGPH40/HO

First Light
 PO Box 191, 212 Ideal Way
 Poultney, VT 05764 USA
 Phone-(802) 287-4195 Fax-(802) 287-4489
 www.firstlightusa.com
 email: sales@firstlightusa.com

*UV Output is based on lamps measured after 100 hours of operation under lab conditions. These values are subject to wide variations under application/field conditions.
 UV Output is measured at 254 nm
 **Rated Life is for reference purposes only and is based on a group of lamps operating under lab conditions. Actual life depends on the operating conditions of the lamp.

12/21/2011
1:41:00 PM

This data includes matters which are trade secrets of First Light Technologies, Inc., or Proprietary or Confidential to First Light Technologies, Inc. and shall not be reproduced or disclosed in whole or part, or used in any manner except in connection with First Light Technologies, Inc. business, without the written permission of First Light Technologies, Inc.