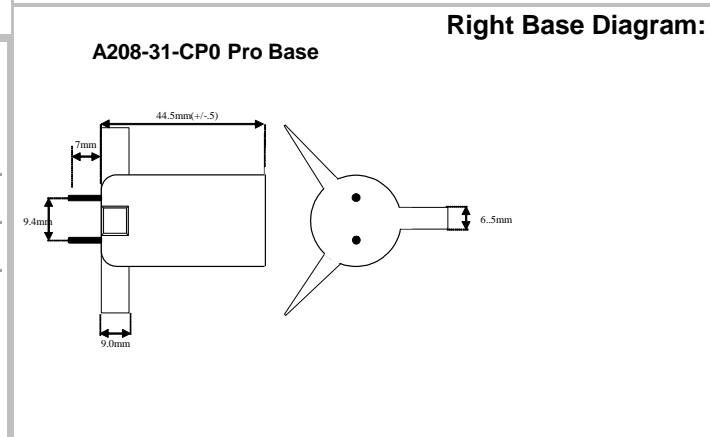
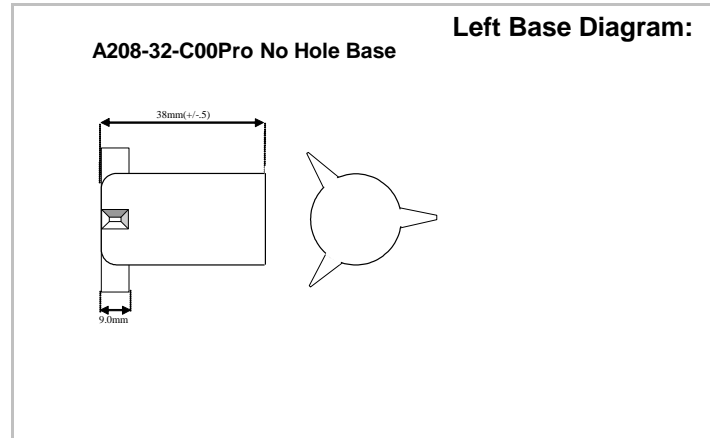
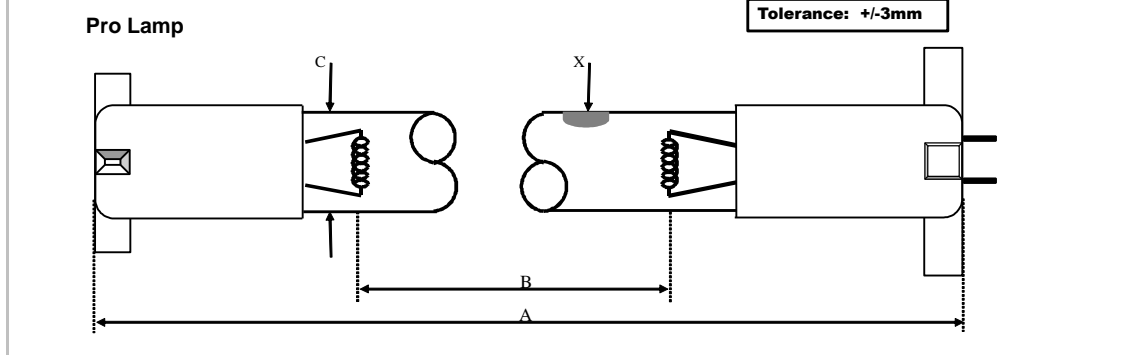


Lamp Type: GIA1554T6LCA/HO/CB-031
replaces S64RL-AM

Spec Number:
3355

Engineering Specification Sheet

Lamp Diagram:



Lamp Characteristics

(A) Base Face:	1554	mm		
(B) ARC:	1483		Operating Current	2.0a
(C) Bulb Diameter	19		Lamp Voltage	130v
(X) Amalgam			Lamp Wattage	260w
Glass Type:	L (Non Ozone)	Coating:	A11-QC-001	
If Spliced:	L	mm	VH	mm
	(Y)			

UV Output - Certified to be true. Kenneth A. Ell, President

Output UVC Watts	micro/watt	/cm ² @ 1 Meter	Rated Life (hrs)	% Output @EOL	Output Notes Field	Ballast Used for Measurements
85		650	12000	80.00%		03-EB-237

First Light
212 Ideal Way
Poultney, VT 05764 USA
Phone-(802) 287-4195 Fax-(802) 287-4489
www.firstlightusa.com
email: sales@firstlightusa.com

*UV Output is based on lamps measured after 100 hours of operation under lab conditions. These values are subject to wide variations under application/field conditions.
UV Output is measured at 254 nm
**Rated Life is for reference purposes only and is based on a group of lamps operating under lab conditions. Actual life depends on the operating conditions of the lamp.

7/10/2018
4:04:11 PM

This data includes matters which are trade secrets of First Light Technologies, Inc., or Proprietary or Confidential to First Light Technologies, Inc. and shall not be reproduced or disclosed in whole or part, or used in any manner except in connection with First Light Technologies, Inc. business, without the written permission of First Light Technologies, Inc.