

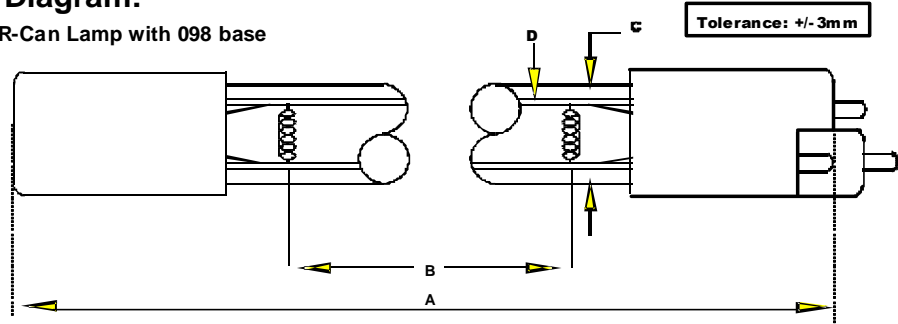
Lamp Type: GPH330T5VHCA/CB-098
R-Can S330ROL

Spec Number:
3359

Engineering Specification Sheet

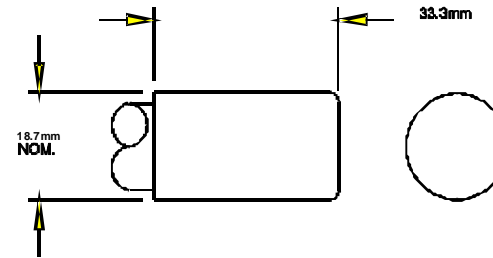
Lamp Diagram:

R-Can Lamp with 098 base



A08-62-C00 HD No Hole Base

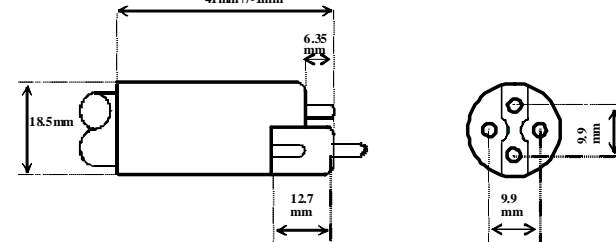
Left Base Diagram:



Right Base Diagram:

08-CB-098 R-Can Base

08-PC-098 R-Can Base with Vendor Supplied Pin



Pin: 08-PN-006

Lamp Characteristics

(A) Base Face: 330 mm
 (B) ARC: 254
 (C) Bulb Diameter: 15
 (X) _____
 Glass Type: VH (Ozone) Coating: A11-QC-001
 Operating Current: 336ma.
 Lamp Voltage: 50v
 Lamp Wattage: 15w
 If Spliced: L _____ mm VH _____ mm
 (Y) _____



UV Output

Output UVC Watts	Output μ /cm ² @ 1 Meter	Rated Life (hrs)	% Output @EOL	Output Notes Field	Ballast Used for Measurements
5	50	12000	80.00%		SSGPH287

First Light
 PO Box 191, 212 Ideal Way
 Poultney, VT 05764 USA
 Phone-(802) 287-4195 Fax-(802) 287-4489
 www.firstlightusa.com
 email: sales@firstlightusa.com

*UV Output is based on lamps measured after 100 hours of operation under lab conditions. These values are subject to wide variations under application/field conditions.

12/21/2011

UV Output is measured at 254 nm

1:28:01 PM

**Rated Life is for reference purposes only and is based on a group of lamps operating under lab conditions. Actual life depends on the operating conditions of the lamp.