

Lamp Type: G64T5LCA/PT-21"/2W/B/C

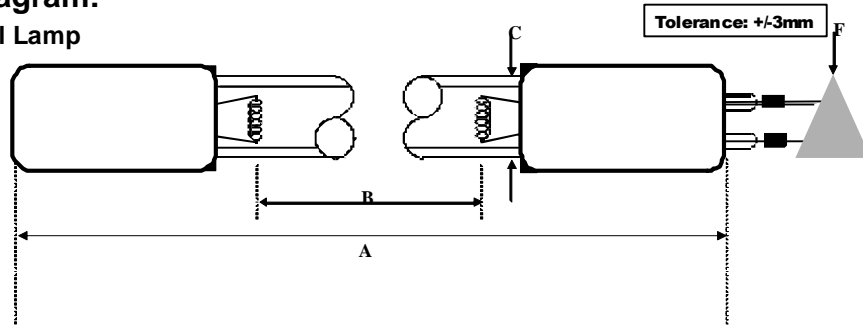
Spec Number:

3371

Engineering Specification Sheet

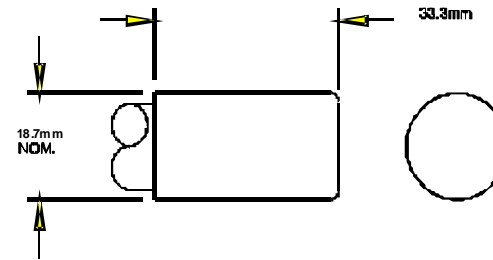
Lamp Diagram:

Pigtail Lamp



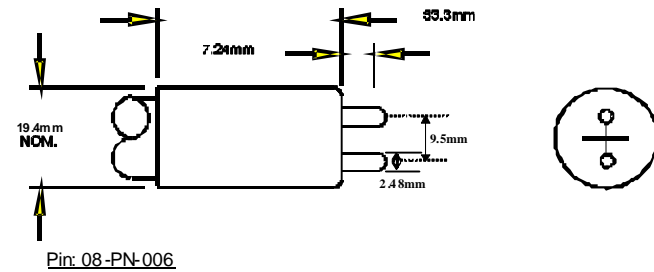
A08-62-C00 HD No Hole Base

Left Base Diagram:



A08-15-CP0 Two Pin Base

Right Base Diagram:



Lamp Characteristics

(A) Base Face:	1554	mm	+/- 3		
(B) ARC:	1478			Operating Current	450ma.
(C) Bulb Diameter:	15			Lamp Voltage:	170v
(X)				Lamp Wattage:	70w
Glass Type:	L (Non Ozone)	Coating:	A11-QC-001		
If Spliced:	L	mm	VH	mm	
	(Y)				

First Light

UV Output

Output UVC Watts	Output μ /cm ² @ 1 Meter	Rated Life (hrs)	% Output @EOL	Output Notes Field	Ballast Used for Measurements
33	230	12000	80.00%		REL-2P60-S

First Light
 PO Box 191, 212 Ideal Way
 Poultney, VT 05764 USA
 Phone-(802) 287-4195 Fax-(802) 287-4489
 www.firstlightusa.com
 email: sales@firstlightusa.com

*UV Output is based on lamps measured after 100 hours of operation under lab conditions. These values are subject to wide variations under application/field conditions.
 UV Output is measured at 254 nm
 **Rated Life is for reference purposes only and is based on a group of lamps operating under lab conditions. Actual life depends on the operating conditions of the lamp.

6/6/2013
 1:17:37 PM