

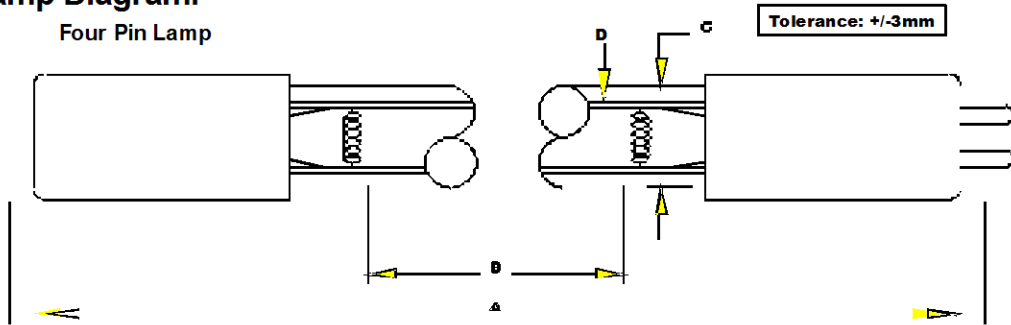
Lamp Type: GPH1554T5LCA/HO/4C
replaces P/N 21000810

Spec Number:
3982

Engineering Specification Sheet

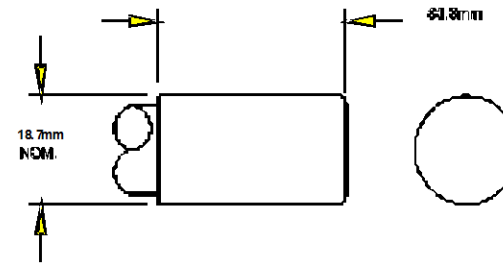
Lamp Diagram:

Four Pin Lamp



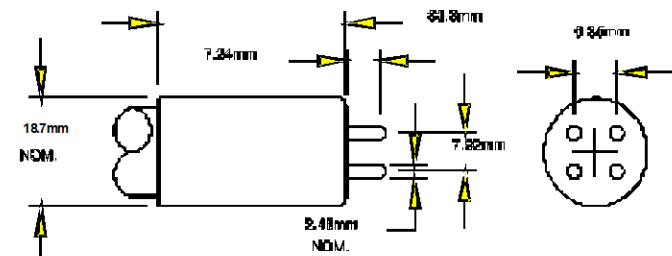
A08-62-C00 HD No Hole Base

Left Base Diagram:



A08-61-CP0 HD Four-Pin Base

Right Base Diagram



Pin: 08-PN-006

Lamp Characteristics

(A) Base Face:	1554	mm	+/- 3		
(B) ARC:	1478			Operating Current	800ma.
(C) Bulb Diameter	15			Lamp Voltage	150v
(X)				Lamp Wattage	120w
Glass Type:	L (Non Ozone)	Coating	A11-QC-001		
If Spliced:	L	mm	VH	mm	
	(Y)				

First Light

UV Output

Output UVC Watts	Output μ /cm ² @ 1 Meter	Rated Life (hrs)	% Output @EOL	Output Notes Field	Ballast Used for Measurements
45	350	12000	80.00%		LCG800-240V



212 Ideal Way
Poultney, VT 05764 USA
Phone-(802) 287-4195 Fax-(802) 287-4489
www.firstlightusa.com
email: sales@firstlightusa.com

*UV Output is based on lamps measured after 100 hours of operation under lab conditions. These values are subject to wide variations under application/field conditions.

1/30/2015

UV Output is measured at 254 nm

1:06:10 PM

**Rated Life is for reference purposes only and is based on a group of lamps operating under lab conditions. Actual life depends on the operating conditions of the lamp.