

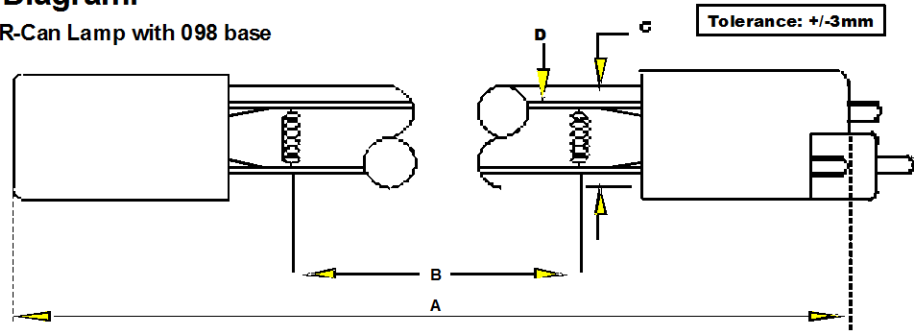
**Lamp Type:** GPH212T5VHCA/CB-098  
replaces R-Can S212ROL

**Spec Number:**  
4061

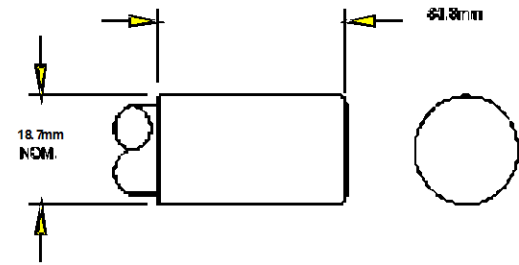
*Engineering Specification Sheet*

**Lamp Diagram:**

R-Can Lamp with 098 base



A08-62-C00 HD No Hole Base



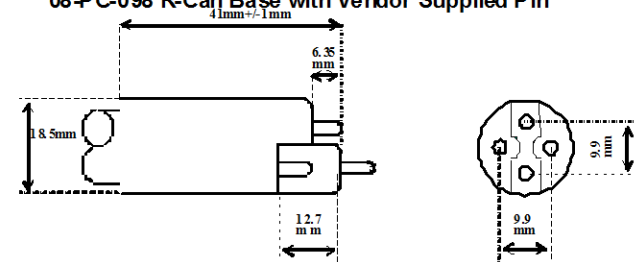
**Left Base Diagram:**

**Lamp Characteristics**

(A) Base Face:	212 mm	+/- 3		
(B) ARC:	136		Operating Current	380ma.
(C) Bulb Diameter	15		Lamp Voltage	33v
(X)			Lamp Wattage	10w
Glass Type:	VH (Ozone)	Coating	A11-QC-001	
<b>If Spliced:</b>	L	mm	VH	mm
	(Y)			

**Right Base Diagram**

08-CB-098 R-Can Base  
08-PC-098 R-Can Base with Vendor Supplied Pin



Pin: 08-PN-006

**UV Output**



212 Ideal Way  
Poultney, VT 05764 USA  
Phone-(802) 287-4195 Fax-(802) 287-4489  
www.firstlightusa.com  
email: sales@firstlightusa.com

\*UV Output is based on lamps measured after 100 hours of operation under lab conditions. These values are subject to wide variations under application/field conditions.

1/8/2015

\*\*\*UV Output is measured at 254 nm\*\*\*

11:44:54 AM

\*\*Rated Life is for reference purposes only and is based on a group of lamps operating under lab conditions. Actual life depends on the operating conditions of the lamp.