

Lamp Type: GPH1270T5LCA/HO/CB-0PA

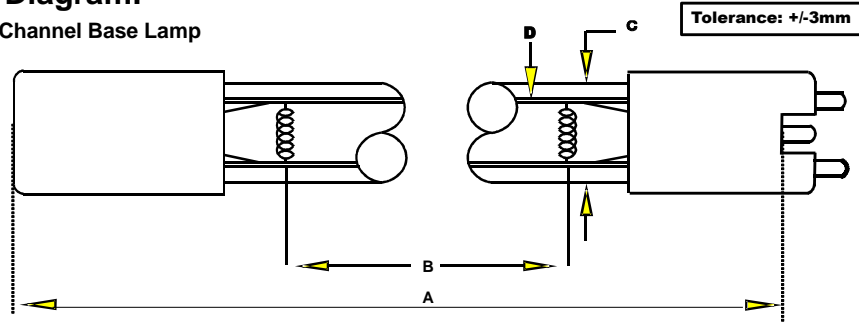
Spec Number:

4071

Engineering Specification Sheet

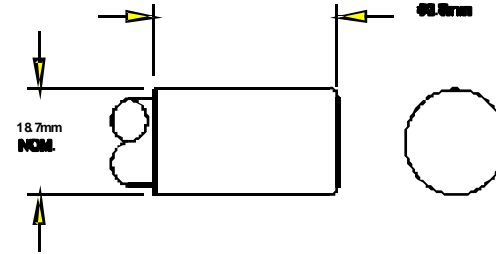
Lamp Diagram:

Channel Base Lamp



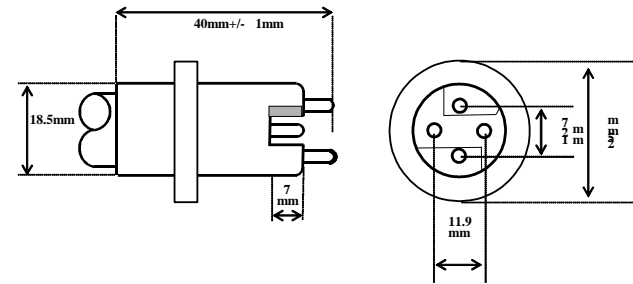
A08-62-C00 HD No Hole Base

Left Base Diagram:



A08-PA-CP0 Channel Ridge Base

Right Base Diagram:



Pin: 08-PN-006

Lamp Characteristics

(A) Base Face:	1270 mm	+/- 3	Operating Current	800ma.
(B) ARC:	1194		Lamp Voltage	150v
(C) Bulb Diameter	15		Lamp Wattage	120w
(X)				
Glass Type:	L (Non Ozone)	Coating:	A11-QC-001	

If Spliced matters which are trade secrets of First Light Technologies, Inc., or Proprietary or Confidential to First Light Technologies, Inc. and shall not be reproduced or disclosed in whole or part, or used in any manner except in connection with First Light Technologies, Inc. business, without the written permission of First Light Technologies, Inc.

3/5/2018

Channel Base Lamp

UV Output - Certified to be true. Kenneth A. Ell, President

Output UVC Watts	micro/watt /cm ² @ 1 Meter	Rated Life (hrs)	% Output @EOL	Output Notes Field	Ballast Used for Measurements
43	350	12000	80.00%		REI2G6496HOMV

This data includes matters which are trade secrets of First Light Technologies, Inc., or Proprietary or Confidential to First Light Technologies, Inc. and shall not be reproduced or disclosed in whole or part, or used in any manner except in connection with First Light Technologies, Inc. business, without the written permission of First Light Technologies, Inc.

3/5/2018 A08-PA-CP0 Channel Ridge Base

First Light
 212 Ideal Way
 Poultney, VT 05764 USA
 Phone-(802) 287-4195 Fax-(802) 287-4489
 www.firstlightusa.com
 email: sales@firstlightusa.com

*UV Output is based on lamps measured after 100 hours of operation under lab conditions. These values are subject to wide variations under application/field conditions.
 UV Output is measured at 254 nm
 **Rated Life is for reference purposes only and is based on a group of lamps operating under lab conditions. Actual life depends on the operating conditions of the lamp.

4/25/2018
 1:02:23 PM

This data includes matters which are trade secrets of First Light Technologies, Inc., or Proprietary or Confidential to First Light Technologies, Inc. and shall not be reproduced or disclosed in whole or part, or used in any manner except in connection with First Light Technologies, Inc. business, without the written permission of First Light Technologies, Inc.