

Lamp Type: GPH850T5LCA/CB-0PN

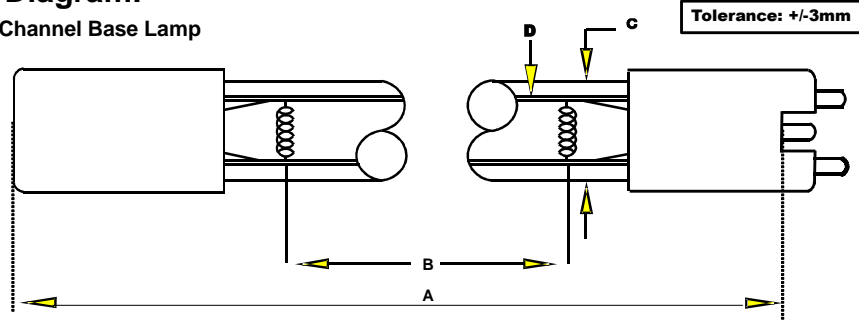
Spec Number:

4135

Engineering Specification Sheet

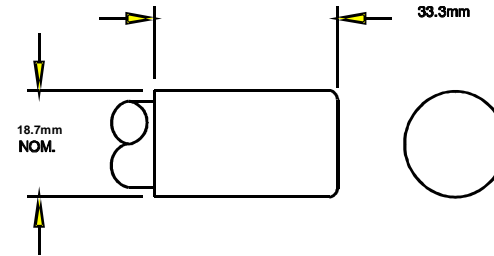
Lamp Diagram:

Channel Base Lamp



A08-PP-C00 HD No Hole Base Black

Left Base Diagram:



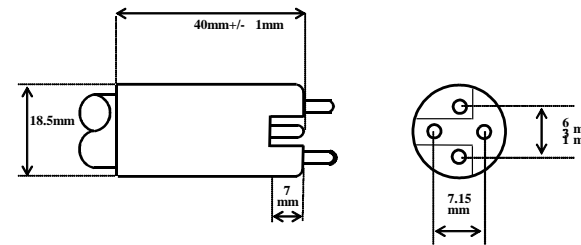
Lamp Characteristics

(A) Base Face:	850	mm	+/- 3		
(B) ARC:	770			Operating Current	420ma.
(C) Bulb Diameter	15			Lamp Voltage	99v
(X)				Lamp Wattage	42w
Glass Type:	L (Non Ozone)	Coating:	A11-QC-001		
If Spliced:	L	mm	VH	mm	
(Y)					



A08-PN-CC0 PN Base

Right Base Diagram:



Pin: 08-PN-025

UV Output - Certified to be true. Kenneth A. Ell, President

Output UVC Watts	micro/watt	/cm ² @ 1 Meter	Rated Life (hrs)	% Output @EOL	Output Notes Field	Ballast Used for Measurements
16.5		152	12000	80.00%		PSK2GPH18MV

First Light
 212 Ideal Way
 Poultney, VT 05764 USA
 Phone-(802) 287-4195 Fax-(802) 287-4489
 www.firstlightusa.com
 email: sales@firstlightusa.com

*UV Output is based on lamps measured after 100 hours of operation under lab conditions. These values are subject to wide variations under application/field conditions.
 UV Output is measured at 254 nm
 **Rated Life is for reference purposes only and is based on a group of lamps operating under lab conditions. Actual life depends on the operating conditions of the lamp.

7/10/2018
 3:47:15 PM

This data includes matters which are trade secrets of First Light Technologies, Inc., or Proprietary or Confidential to First Light Technologies, Inc. and shall not be reproduced or disclosed in whole or part, or used in any manner except in connection with First Light Technologies, Inc. business, without the written permission of First Light Technologies, Inc.