

Lamp Type: GPH330T5LCA/HO/CB-0PN

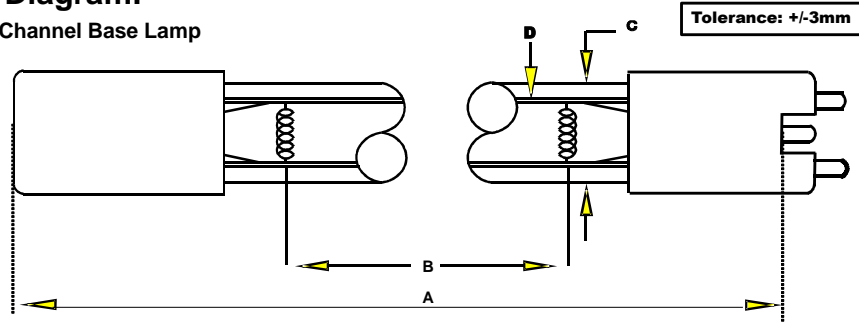
Spec Number:

4145

Engineering Specification Sheet

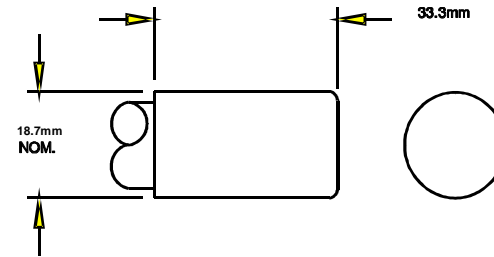
Lamp Diagram:

Channel Base Lamp



A08-PP-C00 HD No Hole Base Black

Left Base Diagram:



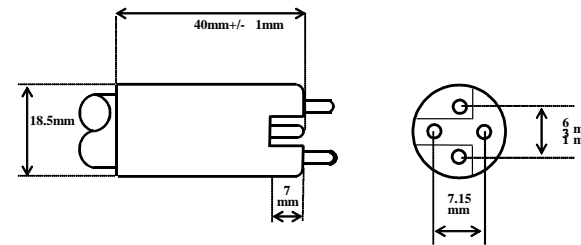
Lamp Characteristics

(A) Base Face:	330	mm	+/- 3		
(B) ARC:	250			Operating Current	800ma.
(C) Bulb Diameter	15			Lamp Voltage	43v
(X)				Lamp Wattage	34w
Glass Type:	L (Non Ozone)	Coating:	A11-QC-001		
If Spliced:	L	mm	VH	mm	
(Y)					



A08-PN-CC0 PN Base

Right Base Diagram:



Pin: 08-PN-025

UV Output - Certified to be true. Kenneth A. Ell, President

Output UVC Watts	micro/watt	/cm^2 @ 1 Meter	Rated Life (hrs)	% Output @EOL	Output Notes Field	Ballast Used for Measurements
12		105	12000	0.00%		PSP2GPH40HO

First Light
 212 Ideal Way
 Poultney, VT 05764 USA
 Phone-(802) 287-4195 Fax-(802) 287-4489
 www.firstlightusa.com
 email: sales@firstlightusa.com

*UV Output is based on lamps measured after 100 hours of operation under lab conditions. These values are subject to wide variations under application/field conditions.
 UV Output is measured at 254 nm
 **Rated Life is for reference purposes only and is based on a group of lamps operating under lab conditions. Actual life depends on the operating conditions of the lamp.

7/10/2018
 3:45:25 PM

This data includes matters which are trade secrets of First Light Technologies, Inc., or Proprietary or Confidential to First Light Technologies, Inc. and shall not be reproduced or disclosed in whole or part, or used in any manner except in connection with First Light Technologies, Inc. business, without the written permission of First Light Technologies, Inc.