

Lamp Type: GPH1300T5LCA/HO/CB-0PN

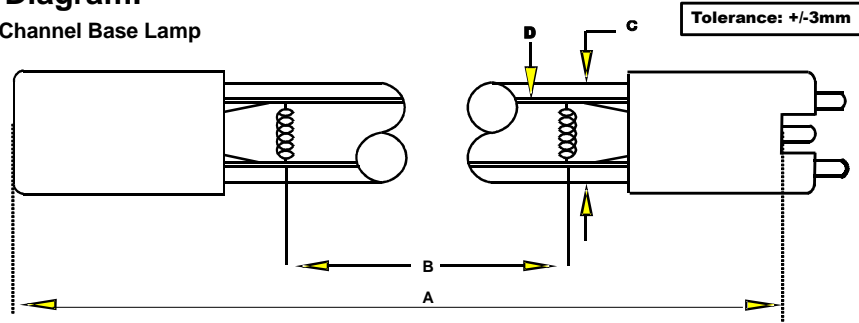
Spec Number:

4147

Engineering Specification Sheet

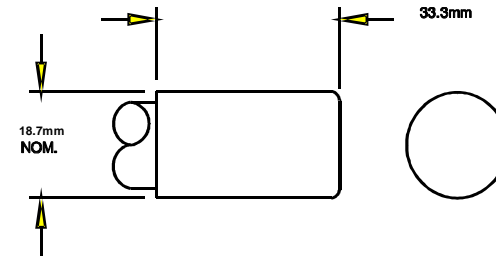
Lamp Diagram:

Channel Base Lamp



A08-62-C00 HD No Hole Base

Left Base Diagram:



Lamp Characteristics

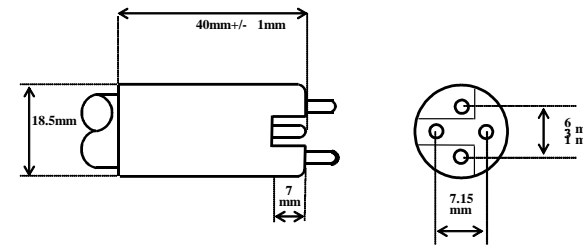
(A) Base Face:	1300 mm	+/- 3		
(B) ARC:	1220		Operating Current	800ma.
(C) Bulb Diameter	15		Lamp Voltage	168v
(X)			Lamp Wattage	134w
Glass Type:	L (Non Ozone)	Coating:	A11-QC-001	

*If Spliced matters which are trade secrets of First Light Technologies, Inc., or Proprietary or Confidential to First Light Technologies, Inc. and shall not be reproduced or disclosed in whole or part, or used in any manner except in connection with First Light Technologies, Inc. business, without the written permission of First Light Technologies, Inc.*

(Y) Channel Base Lamp  
12/6/2016

A08-PN-CC0 PN Base

Right Base Diagram:



Pin: 08-PN-025

UV Output - Certified to be true. Kenneth A. Ell, President

Output UVC Watts	micro/watt /cm^2 @ 1 Meter	Rated Life (hrs)	% Output @EOL	Output Notes Field	Ballast Used for Measurements
45	370	12000	80.00%		REI2G6496HOMV

This data includes matters which are trade secrets of First Light Technologies, Inc., or Proprietary or Confidential to First Light Technologies, Inc. and shall not be reproduced or disclosed in whole or part, or used in any manner except in connection with First Light Technologies, Inc. business, without the written permission of First Light Technologies, Inc.

6/1/2017 08-PN-CC0

**First Light**  
212 Ideal Way  
Poultney, VT 05764 USA  
Phone-(802) 287-4195 Fax-(802) 287-4489  
www.firstlightusa.com  
email: sales@firstlightusa.com

\*UV Output is based on lamps measured after 100 hours of operation under lab conditions. These values are subject to wide variations under application/field conditions.  
 \*\*\*UV Output is measured at 254 nm\*\*\*  
 \*\*Rated Life is for reference purposes only and is based on a group of lamps operating under lab conditions. Actual life depends on the operating conditions of the lamp.

5/1/2018  
4:31:10 PM

*This data includes matters which are trade secrets of First Light Technologies, Inc., or Proprietary or Confidential to First Light Technologies, Inc. and shall not be reproduced or disclosed in whole or part, or used in any manner except in connection with First Light Technologies, Inc. business, without the written permission of First Light Technologies, Inc.*