

Lamp Type: GPH330T5LCA/HO/CB-0PN

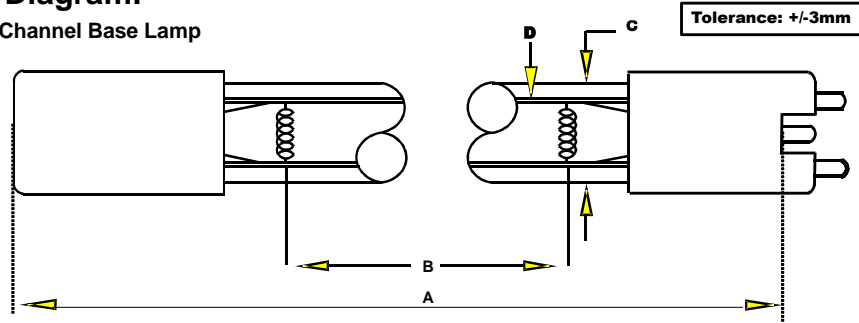
Spec Number:

4150

Engineering Specification Sheet

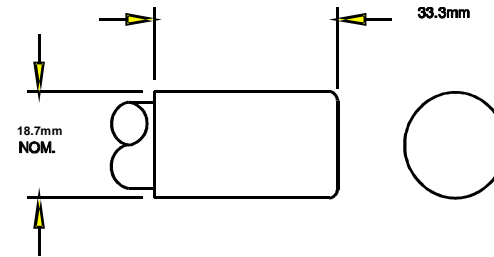
Lamp Diagram:

Channel Base Lamp



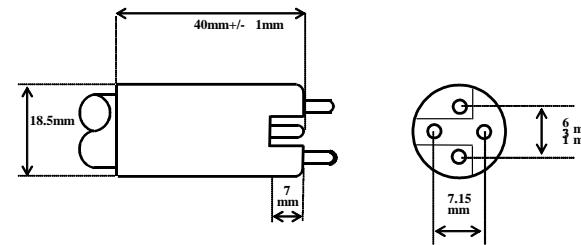
A08-62-C00 HD No Hole Base

Left Base Diagram:



Right Base Diagram:

A08-PN-CC0 PN Base



Pin: 08-PN-025

Lamp Characteristics

(A) Base Face:	330 mm	+/- 3	Operating Current	800ma.
(B) ARC:	235		Lamp Voltage	43v
(C) Bulb Diameter	15		Lamp Wattage	34w
(X)				
Glass Type:	L (Non Ozone)	Coating:	A11-QC-001	

*If Spliced matters which are trade secrets of First Light Technologies, Inc., or Proprietary or Confidential to First Light Technologies, Inc. and shall not be reproduced or disclosed in whole or part, or used in any manner except in connection with First Light Technologies, Inc. business, without the written permission of First Light Technologies, Inc.*

(Y) Channel Base Lamp  
12/6/2016

UV Output - Certified to be true. Kenneth A. Ell, President

Output UVC Watts	micro/watt /cm^2 @ 1 Meter	Rated Life (hrs)	% Output @EOL	Output Notes Field	Ballast Used for Measurements
12	105	12000	80.00%		PSP2GPH40HO

6/1/2017 08-PN-CC0

*This data includes matters which are trade secrets of First Light Technologies, Inc., or Proprietary or Confidential to First Light Technologies, Inc. and shall not be reproduced or disclosed in whole or part, or used in any manner except in connection with First Light Technologies, Inc. business, without the written permission of First Light Technologies, Inc.*

**First Light**  
212 Ideal Way  
Poultney, VT 05764 USA  
Phone-(802) 287-4195 Fax-(802) 287-4489  
www.firstlightusa.com  
email: sales@firstlightusa.com

\*UV Output is based on lamps measured after 100 hours of operation under lab conditions. These values are subject to wide variations under application/field conditions.  
 \*\*\*UV Output is measured at 254 nm\*\*\*  
 \*\*Rated Life is for reference purposes only and is based on a group of lamps operating under lab conditions. Actual life depends on the operating conditions of the lamp.

5/2/2018  
8:43:17 AM

*This data includes matters which are trade secrets of First Light Technologies, Inc., or Proprietary or Confidential to First Light Technologies, Inc. and shall not be reproduced or disclosed in whole or part, or used in any manner except in connection with First Light Technologies, Inc. business, without the written permission of First Light Technologies, Inc.*