

Lamp Type: GPH420T5LCA/HO/CB-0PN

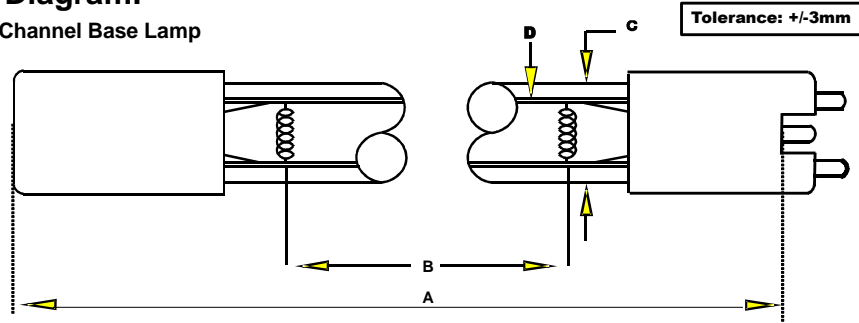
Spec Number:

4151

Engineering Specification Sheet

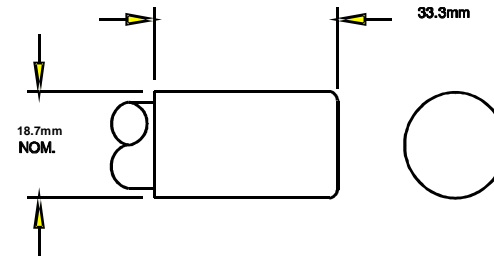
Lamp Diagram:

Channel Base Lamp



A08-62-C00 HD No Hole Base

Left Base Diagram:



Lamp Characteristics

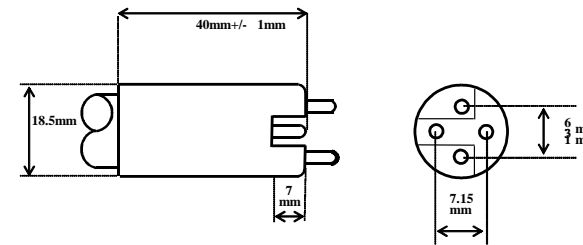
(A) Base Face:	420 mm	+/- 3	Operating Current	800ma.
(B) ARC:	325		Lamp Voltage	57v
(C) Bulb Diameter	15		Lamp Wattage	45w
(X)				
Glass Type:	L (Non Ozone)	Coating:	A11-QC-001	

If Spliced matters which are trade secrets of First Light Technologies, Inc., or Proprietary or Confidential to First Light Technologies, Inc. and shall not be reproduced or disclosed in whole or part, or used in any manner except in connection with First Light Technologies, Inc. business, without the written permission of First Light Technologies, Inc.

(Y) Channel Base Lamp
12/6/2016

A08-PN-CC0 PN Base

Right Base Diagram:



Pin: 08-PN-025

UV Output - Certified to be true. Kenneth A. Ell, President

Output UVC Watts	micro/watt /cm^2 @ 1 Meter	Rated Life (hrs)	% Output @EOL	Output Notes Field	Ballast Used for Measurements
17	160	12000	80.00%		PSP2GPH40HO

This data includes matters which are trade secrets of First Light Technologies, Inc., or Proprietary or Confidential to First Light Technologies, Inc. and shall not be reproduced or disclosed in whole or part, or used in any manner except in connection with First Light Technologies, Inc. business, without the written permission of First Light Technologies, Inc.

6/1/2017

08-PN-CC0

First Light
212 Ideal Way
Poultney, VT 05764 USA
Phone-(802) 287-4195 Fax-(802) 287-4489
www.firstlightusa.com
email: sales@firstlightusa.com

*UV Output is based on lamps measured after 100 hours of operation under lab conditions. These values are subject to wide variations under application/field conditions.
 UV Output is measured at 254 nm
 **Rated Life is for reference purposes only and is based on a group of lamps operating under lab conditions. Actual life depends on the operating conditions of the lamp.

5/2/2018
8:44:39 AM

This data includes matters which are trade secrets of First Light Technologies, Inc., or Proprietary or Confidential to First Light Technologies, Inc. and shall not be reproduced or disclosed in whole or part, or used in any manner except in connection with First Light Technologies, Inc. business, without the written permission of First Light Technologies, Inc.