

Lamp Type: GPH609T5LCA/HO/CB-0PA

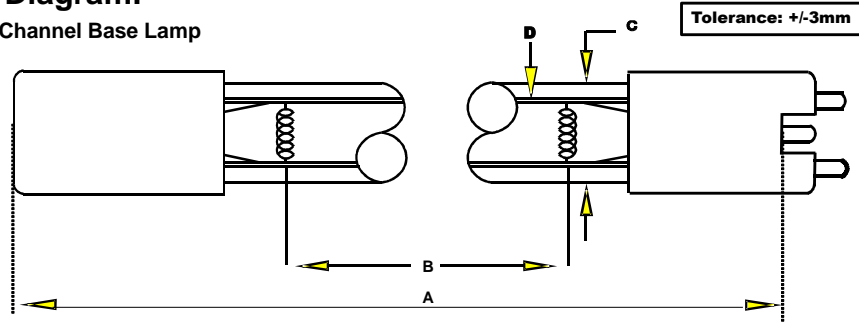
Spec Number:

4266

Engineering Specification Sheet

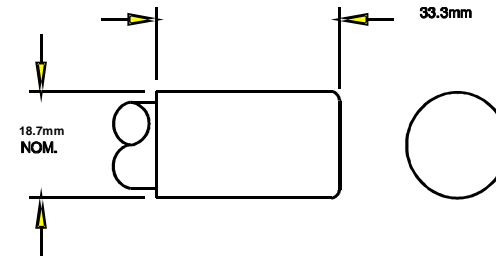
Lamp Diagram:

Channel Base Lamp



A08-62-C00 HD No Hole Base

Left Base Diagram:



Lamp Characteristics

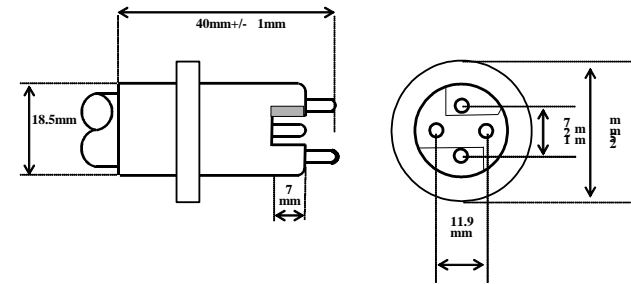
(A) Base Face:	609 mm	+/- 3	Operating Current	800ma.
(B) ARC:	538		Lamp Voltage	65v
(C) Bulb Diameter	15		Lamp Wattage	52w
(X)				
Glass Type:	L (Non Ozone)	Coating:	A11-QC-001	

If Spliced matters which are trade secrets of First Light Technologies, Inc., or Proprietary or Confidential to First Light Technologies, Inc. and shall not be reproduced or disclosed in whole or part, or used in any manner except in connection with First Light Technologies, Inc. business, without the written permission of First Light Technologies, Inc.

(Y) Channel Base Lamp
4/24/2018

A08-PA-CP0 Channel Ridge Base

Right Base Diagram:



Pin: 08-PN-006

UV Output - Certified to be true. Kenneth A. Ell, President

Output UVC Watts	micro/watt /cm^2 @ 1 Meter	Rated Life (hrs)	% Output @EOL	Output Notes Field	Ballast Used for Measurements
22	190	12000	80.00%		PSP2GPH40HO

4/24/2018 A08-PA-CP0 Channel Ridge Base

This data includes matters which are trade secrets of First Light Technologies, Inc., or Proprietary or Confidential to First Light Technologies, Inc. and shall not be reproduced or disclosed in whole or part, or used in any manner except in connection with First Light Technologies, Inc. business, without the written permission of First Light Technologies, Inc.

First Light
212 Ideal Way
Poultney, VT 05764 USA
Phone-(802) 287-4195 Fax-(802) 287-4489
www.firstlightusa.com
email: sales@firstlightusa.com

*UV Output is based on lamps measured after 100 hours of operation under lab conditions. These values are subject to wide variations under application/field conditions.
UV Output is measured at 254 nm
**Rated Life is for reference purposes only and is based on a group of lamps operating under lab conditions. Actual life depends on the operating conditions of the lamp.

4/25/2018
1:01:36 PM

This data includes matters which are trade secrets of First Light Technologies, Inc., or Proprietary or Confidential to First Light Technologies, Inc. and shall not be reproduced or disclosed in whole or part, or used in any manner except in connection with First Light Technologies, Inc. business, without the written permission of First Light Technologies, Inc.