

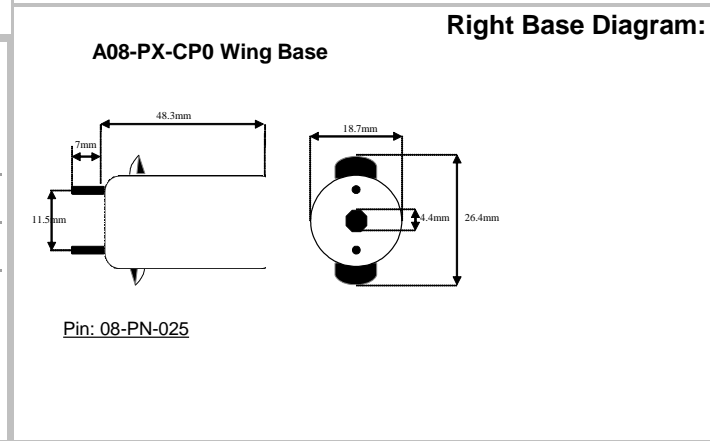
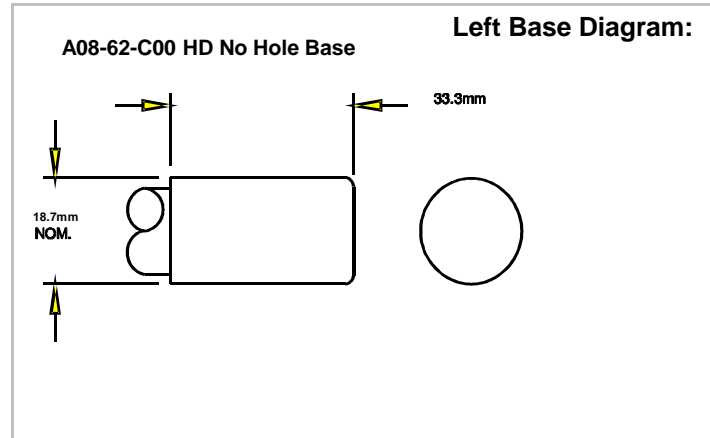
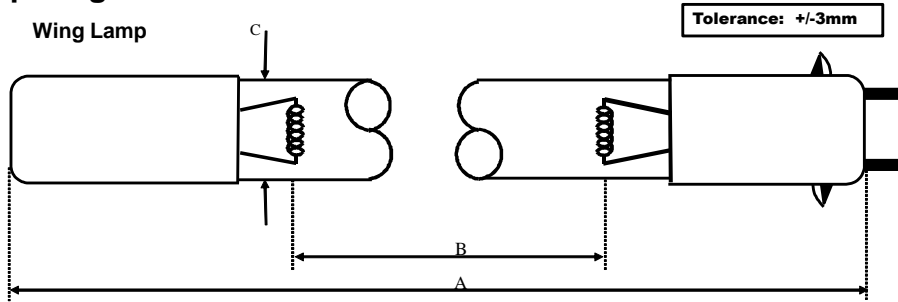
Lamp Type: G64T5LCA/M01/CB-0PX

Spec Number:

4328

Engineering Specification Sheet

Lamp Diagram:



Lamp Characteristics

| | | | | |
|--------------------|---------------|----------|-------------------|---------|
| (A) Base Face: | 1567 | mm | | |
| (B) ARC: | 1450 | | Operating Current | 450 ma. |
| (C) Bulb Diameter | 15 | | Lamp Voltage | 170v |
| (X) | | | Lamp Wattage | 75w |
| Glass Type: | L (Non Ozone) | Coating: | A11-QC-001 | |
| If Spliced: | L | mm | VH | mm |
| (Y) | | | | |

UV Output - Certified to be true. Kenneth A. Ell, President

| Output UVC Watts | micro/watt | /cm ² @ 1 Meter | Rated Life (hrs) | % Output @EOL | Output Notes Field | Ballast Used for Measurements |
|------------------|------------|----------------------------|------------------|---------------|--------------------|-------------------------------|
| 33 | | 240 | 12000 | 80.00% | | TB-004 |

First Light
 212 Ideal Way
 Poultney, VT 05764 USA
 Phone-(802) 287-4195 Fax-(802) 287-4489
 www.firstlightusa.com
 email: sales@firstlightusa.com

*UV Output is based on lamps measured after 100 hours of operation under lab conditions. These values are subject to wide variations under application/field conditions.
 UV Output is measured at 254 nm
 **Rated Life is for reference purposes only and is based on a group of lamps operating under lab conditions. Actual life depends on the operating conditions of the lamp.

8/27/2019
 1:48:09 PM

This data includes matters which are trade secrets of First Light Technologies, Inc., or Proprietary or Confidential to First Light Technologies, Inc. and shall not be reproduced or disclosed in whole or part, or used in any manner except in connection with First Light Technologies, Inc. business, without the written permission of First Light Technologies, Inc.