

Lamp Type: GPH1567T5LCA/HO/CB-0Q4

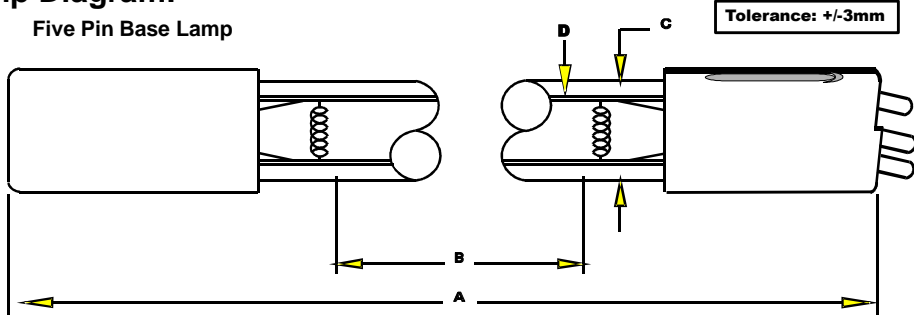
Spec Number:

4360

Engineering Specification Sheet

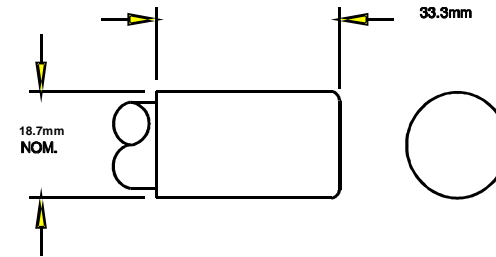
Lamp Diagram:

Five Pin Base Lamp



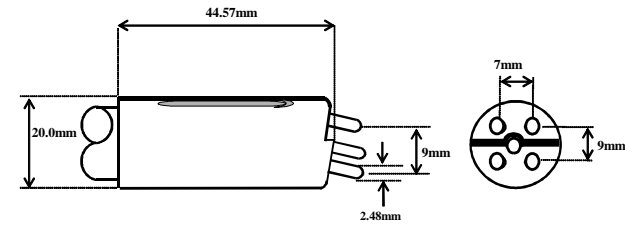
A08-62-C00 HD No Hole Base

Left Base Diagram:



A08-Q4-CP0 5 Pin Base

Right Base Diagram:



Pin: TBD  
Glaze: White

Lamp Characteristics

(A) Base Face:	1567	mm	+/- 3		
(B) ARC:	1450			Operating Current	800ma.
(C) Bulb Diameter	15			Lamp Voltage	180v
(X)				Lamp Wattage	145w
Glass Type:	L (Non Ozone)	Coating:	A11-QC-001		
If Spliced:	L	mm	VH	mm	
(Y)					

UV Output - Certified to be true. Kenneth A. Ell, President

Output UVC Watts	micro/watt	/cm <sup>2</sup> @ 1 Meter	Rated Life (hrs)	% Output @EOL	Output Notes Field	Ballast Used for Measurements
50		425	12000	80.00%		TB-007

**First Light**  
212 Ideal Way  
Poultney, VT 05764 USA  
Phone-(802) 287-4195 Fax-(802) 287-4489  
www.firstlightusa.com  
email: sales@firstlightusa.com

\*UV Output is based on lamps measured after 100 hours of operation under lab conditions. These values are subject to wide variations under application/field conditions.  
\*\*\*UV Output is measured at 254 nm\*\*\*  
\*\*Rated Life is for reference purposes only and is based on a group of lamps operating under lab conditions. Actual life depends on the operating conditions of the lamp.

2/7/2020  
4:38:46 PM

This data includes matters which are trade secrets of First Light Technologies, Inc., or Proprietary or Confidential to First Light Technologies, Inc. and shall not be reproduced or disclosed in whole or part, or used in any manner except in connection with First Light Technologies, Inc. business, without the written permission of First Light Technologies, Inc.