

Lamp Type: HT610/22/3.2

Spec Number:

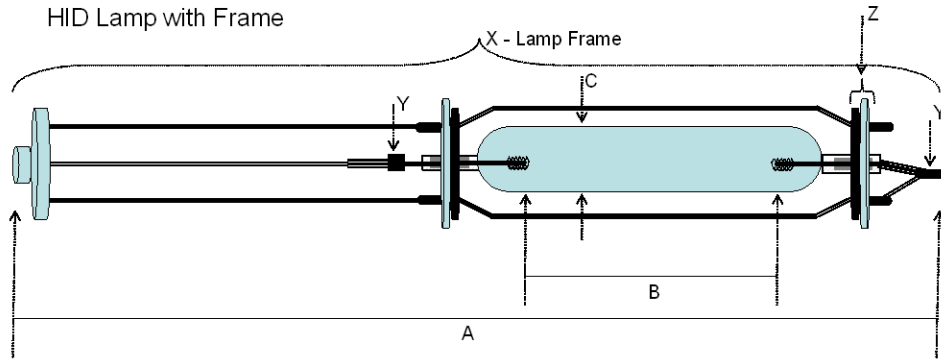
Engineering Specification Sheet

H001

Left Base Diagram:

Lamp Diagram:

HID Lamp with Frame



Right Base Diagram:

Lamp Characteristics

(A) Base Face: 645 mm
 (B) ARC: 240
 (C) Bulb Diameter 22
 (X) Frame Assembly
 Glass Type: Synthetic Coating: HID Lamp with frame
If Spliced: L mm VH mm
 (Y) Parallel Splice

Operating Current 8a
 Lamp Voltage 400v
 Lamp Wattage 3200w

UV Output - Certified to be true. Kenneth A. Ell, President

Output UVC Watts	micro/watt	/cm ² @ 1 Meter	Rated Life (hrs)	% Output @EOL	Output Notes Field	Ballast Used for Measurements
300		3000	12000	80.00%		Nedap 3kw



212 Ideal Way
 Poultney, VT 05764 USA
 Phone-(802) 287-4195 Fax-(802) 287-4489
 www.firstlightusa.com
 email: sales@firstlightusa.com

*UV Output is based on lamps measured after 100 hours of operation under lab conditions.

These values are subject to wide variations under application/field conditions.

8/3/2016

UV Output is measured at 254 nm

12:32:50 PM

**Rated Life is for reference purposes only and is based on a group of lamps operating under lab conditions. Actual life depends on the operating conditions of the lamp.